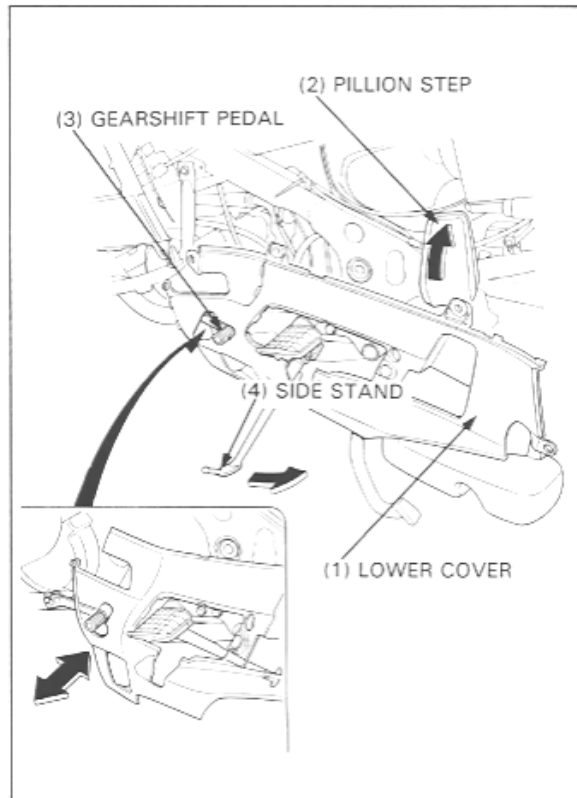


Pull the lower cover out and down until it can be removed from the passenger footpeg.  
Fold the passenger footpeg up.

Turn the lower cover about 90 degrees, then remove the lower cover and the chamber cover as an assembly from the gearshift pedal.

**NOTE**

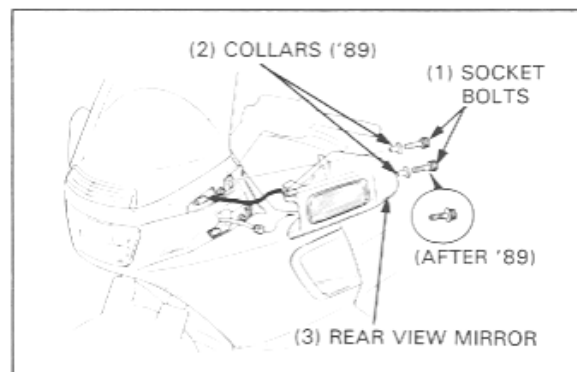
- For easy removal, remove the gearshift pedal and position the side stand in the UP position.



**Rear View Mirror**

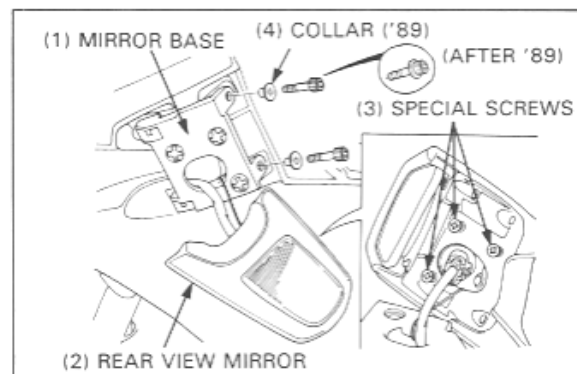
Hold the rear view mirror, then remove the two bolts and the collars ('89).  
Release the rear view mirror from the upper fairing bracket.

Disconnect the front turn signal connector, then remove the rear view mirror.



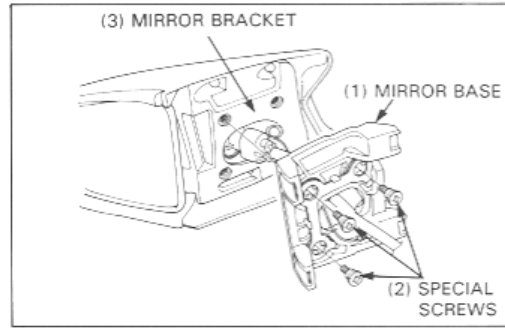
If the motorcycle was dropped and the mirror disconnected from the break-away mount, reinstall the rear view mirror according to the following procedure.

Remove the two socket bolts, collars ('89) and the mirror base.  
Remove the three special screws from the mirror bracket.

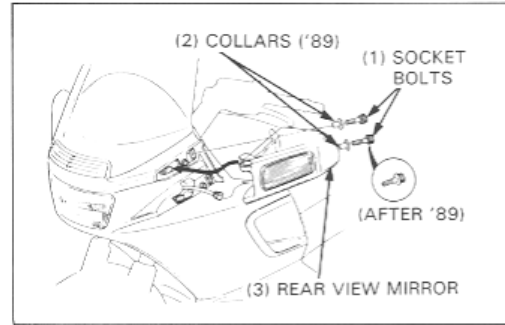


## Frame/Body Panels/Exhaust System

Position the mirror base on the mirror bracket, and install using the three special screws.



Reinstall the rear view mirror.



## Windscreen

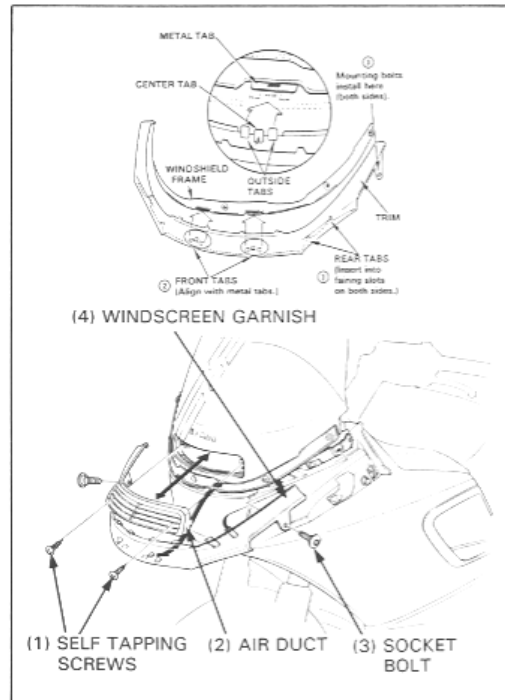
Remove the mirrors (page 2-7).

Remove the two self tapping screws and the air duct.

Remove the two socket bolts and the windscreen garnish.

### NOTE

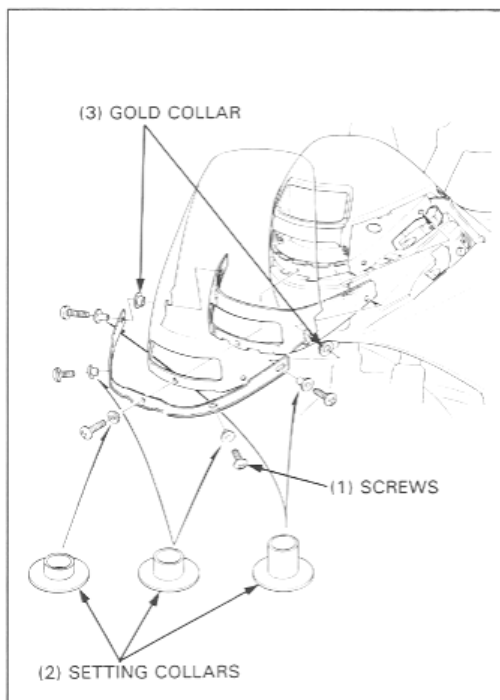
- Be careful not to damage the tabs.



Remove the five screws and collars.  
Remove the windscreen frame, screen and the rubber seat.

NOTE

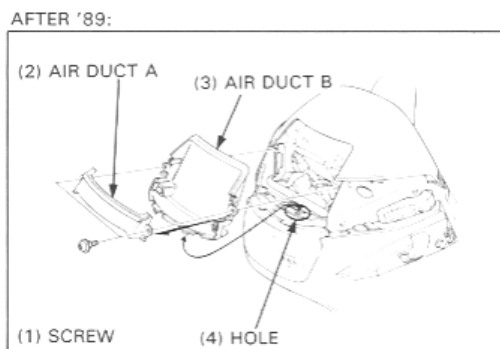
- At installation, set the gold collars into the each end of the screen hole.



Remove the two screws and the screen air ducts.

AFTER '89:

Remove the two screws and the screen air duct A.  
Lift up on the screen air duct B and unhook the tabs from the holes.  
Pull down and remove the air duct.  
Installation is the reverse order of removal.



Top Shelter/Meter Visor

Top Shelter

Remove the following:

- mirrors (page 2-7)
- windscreen garnish (page 2-8)
- windscreen (page 2-8)
- both side covers (page 2-4)
- both air ducts (page 2-4)

Release the bosses from the meter panel rubber holes, then remove the center covers.

NOTE

- When removing the center cover, remove the left cover first, then remove the right cover.
- At installation, align the right center covers tab with the left center cover groove.

