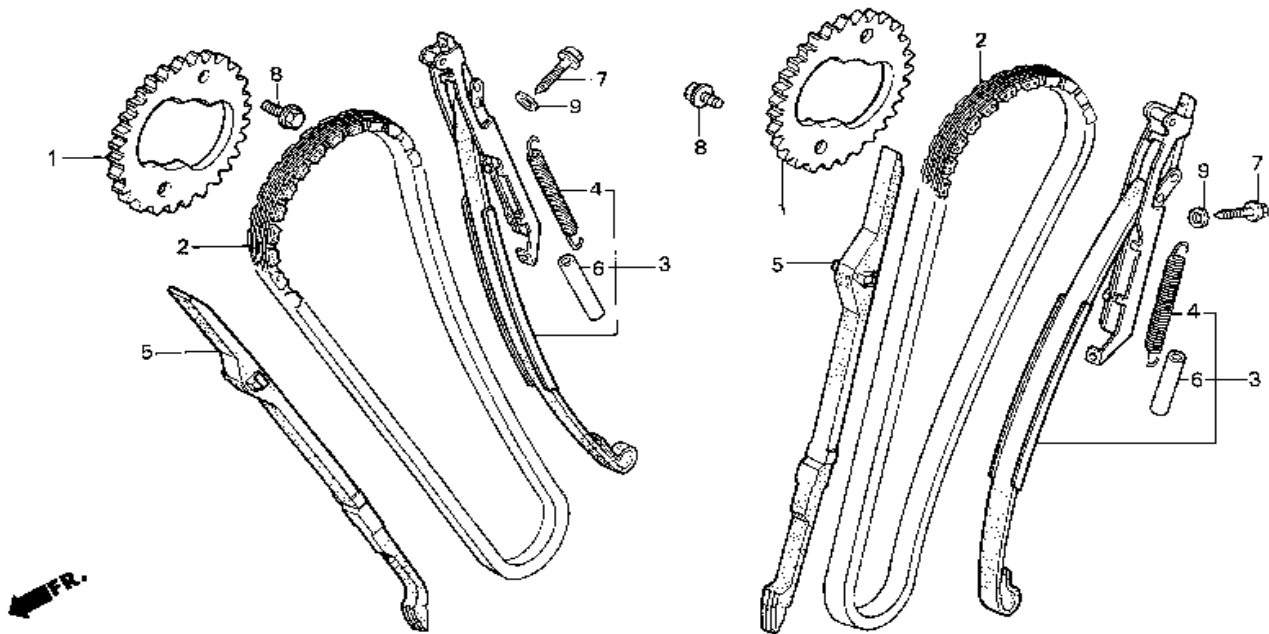


# **HONDA PC800 PACIFIC COAST**

## **MICROFICHE**

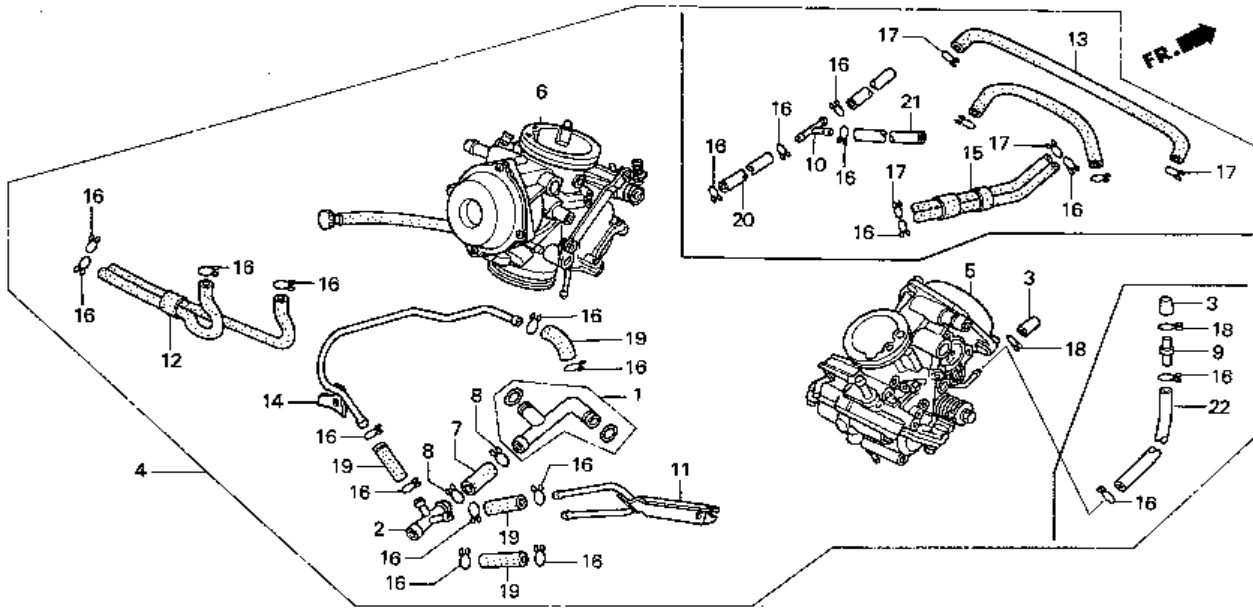
This microfiche is for the 89/90 model but also can be used for later model except 96/97  
main difference is the front end as it has no caliper covers



**CAM CHAIN**

img#	Quantity	Part	Discription
1	2	14322ME9000	SPROCKET,CAM
2	2	14401MR5671	CHAIN,CAM
3	2	14510MK7770	TENSIONER COMP.,C
4	2	14516MG8003	SPRING,CAM CHAIN
5	2	14522MK7770	GUIDE,CAM CHAIN
6	2	14545MK7670	TUBE,TENSIONER SP
7	4	90016MG8000	BOLT,FLANGE,6X24
		Note: this part is superseded by 90001MEM670.	
8	4	90026MM8000	BOLT,UBS,7X15
9	4	90441706000	WASHER SEAL, 6MM





### CARB ASSEMBLY

img#	Quantity	Part	Serial#
1	1	16026ME9671 JOINT SET	
2	1	16026MR5671 T JOINT	
3	1	16097ME9671 CAP	
4	N/A	16100MR5674 (16100-MR5-675) CARBURETOR ASSY. Note: this part is superseded by 16100MR5675.	Upto Serial#: 2103169
4	N/A	16100MR5794 CARBURETOR ASSY.	Upto Serial#: 2103166
4	N/A	16100MR5675 CARBURETOR ASSY.	
4	N/A	16100MR5795 CARBURETOR ASSY.	From Serial#: 2103167
5	N/A	16101MR5673 CARBURETOR, R. FR.	
5	N/A	16101MR5793 CARBURETOR, R. FR.	
6	N/A	16102MR5673 CARBURETOR, L. RR.	

6	N/A	16102MR5793 CARBURETOR, L. RR.	
7	1	16144MR5671 (16143-KAZ-405) TUBE Note: this part is superseded by 16143KAZ405.	
8	2	16163MB3671 TUBE,CLIP	
9	N/A	16180MR5670 JOINT	From Serial#: VDGTA B
9	N/A	16180MR5670 JOINT	From Serial#: VDGUA B
10	1	16180195731 JOINT,T TYPE	
11	N/A	16197MR5671 PIPE, STEEL	
12	1	16198MR5671 TUBE COMP.	
13	N/A	16198MR5791 TUBE	
14	N/A	16199MR5671 PIPE, STEEL	
15	N/A	16199MR5791 TUBE	
16	12	9500202070 CLIP B7,TUBE	Upto Serial#: VDGTA A
16	14	9500202070 CLIP B7,TUBE	From Serial#: VDGTA B
16	18	9500202070 CLIP B7,TUBE	Upto Serial#: VDGUA A
16	20	9500202070 CLIP B7,TUBE	From Serial#: VDGUA B
17	4	9500202100 CLIP B10,TUBE	
18	1	9500202650 CLIP,B65,TUBE	
19	4	950053500810M BULK TUBE,TA 35X8	
20	1	950053500810M BULK TUBE,TA 35X8	
21	1	950053500810M BULK TUBE,TA 35X8	

22 1 950053500810M  
BULK TUBE,TA 35X8  
22 1 950053500810M  
BULK TUBE,TA 35X8

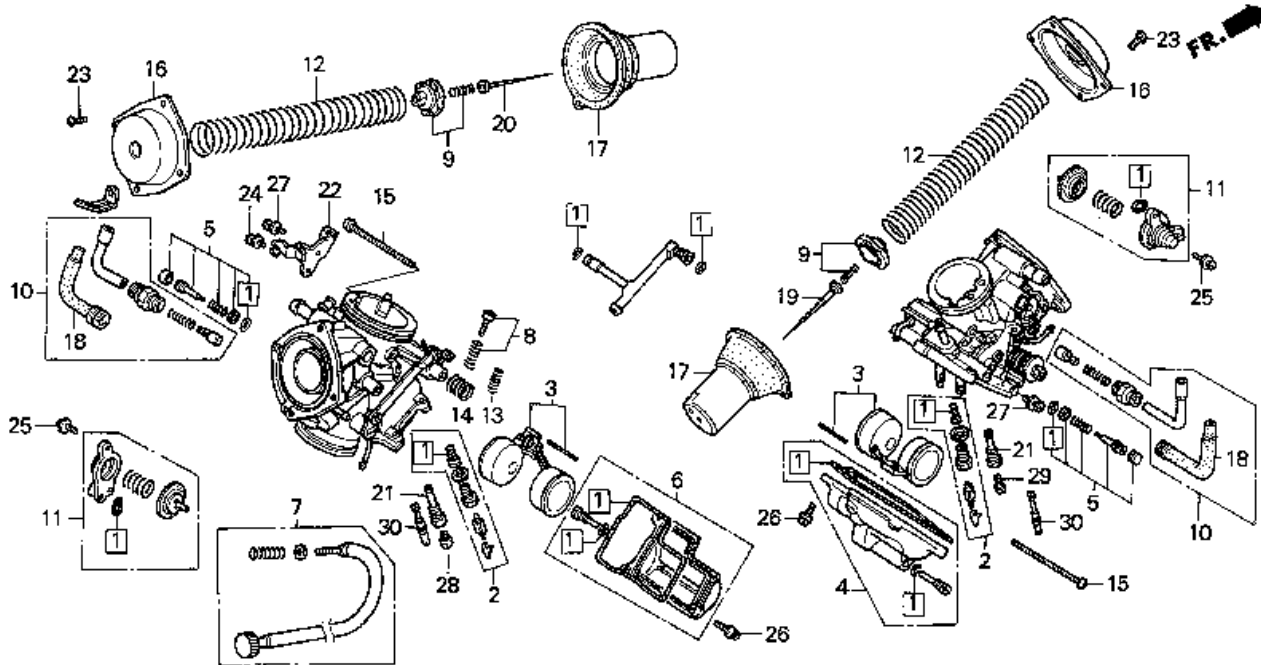
From Serial#: VDGTA B

From Serial#: VDGUA B









**CARB COMPLETE**

img#	Quantity	Part	Serial#
1	2	16010MR5671 GASKET SET	
2	2	16011MR5672 (16011-MAJ-R00) FLOAT VALVE SET Note: this part is superseded by 16011MAJR00.	
3	2	16013ML7004 (16013-MAH-000) FLOAT SET Note: this part is superseded by 16013MAH000.	
4	1	16015MR5671 CHAMBER SET,FLOAT	
5	Not Available	16016MR5671 SCREW SET A	
6	1	16023MR5671 CHAMBER SET,FLOAT	
7	1	16028MAM000 SCREW SET	
7	1	16028MR5671 (16028-MAM-000) SCREW SET B Note: this part is superseded by 16028MAM000.	
8	1	16029MN4003 SCREW SET	
9	2	16037MN9004 (16037-MAK-000) PLATE SET Note: this part is superseded by 16037MAK000.	
10	2	16046MN8004 (16046-MZ6-730) VALVE SET,STARTER Note: this part is superseded by 16046MZ6730.	

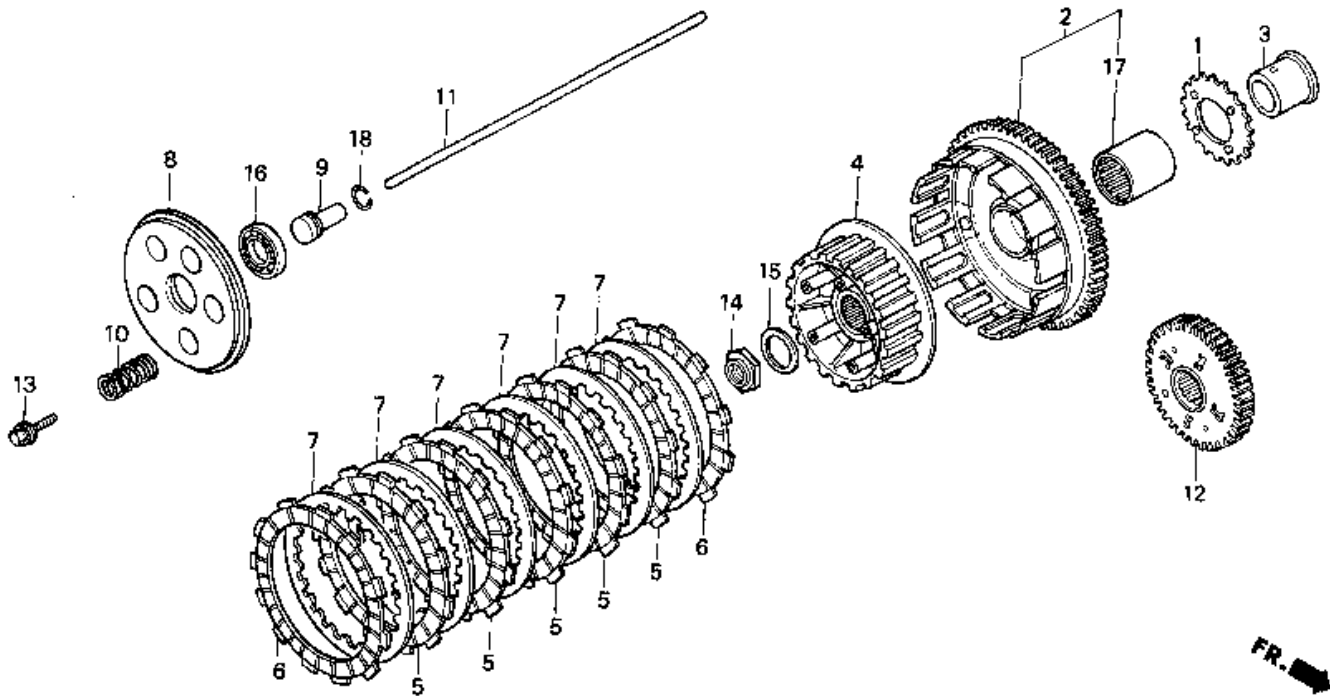
10	2	16046MZ6730 STARTER VALVE SET
11	2	16048MR1004 (16048-MR1-305) VALVE SET,AIR CUT Note: this part is superseded by 16048MR1305. alternative product available
11	2	16048MR1305 AIR CUT VALVE SET
12	2	alternative product available 16050MG7601 (16050-ME9-671) SPG,VACUUM PISTON Note: this part is superseded by 16050ME9671.
13	1	16052ME9672 SPG,VACUUM PISTON
14	1	16053ME9672 SPG,VACUUM PISTON
14	1	16053MG7601 (16053-ME9-672) SPRING Note: this part is superseded by 16053ME9672.
15	2	16082ME9671 WASHER,SCREW
16	2	16107MM8004 TOP COMP
17	2	16111MR5673 PISTON COMP.,VACU
18	2	16118ME9671 CAP,CABLE SEALING
19	Not Available	16131MR5671 JET NEEDLE COMP
20	1	16151MR5791 NEEDLE COMP.,JET
21	2	16165ME9671 HOLDER NEEDLE JET
21	Not Available	16165MR5671 HOLDER, NEEDLE JET
22	1	16169MR5671 STAY COMP.,WIRE
23	8	93500040100A SCREW,CROSS,4X10
24	1	938920400800 SCREW-WASHER,4X8
25	4	938920401200 SCREW-WASH.,4X12
26	8	938920401600 SCREW-WASHER,4X16

27	2	938920501200 SCREW-WASH. 5X12
28	1	99101GHB1220 JET,#122
28	1	991013931220 (99101-GHB-1220) JET,MAIN,#122 Note: this part is superseded by 99101GHB1220.
29	1	99101GHB1250 (99101-443-1250) JET,#125 Note: this part is superseded by 991014431250.
29	1	991013931250 (99101-443-1250) JET,MAIN,#125 Note: this part is superseded by 99101GHB1250.
30	2	99103MT20380 JET,SLOW,#38









### CLUTCH

img#	Quantity	Part
1	1	15131MR5670 SPROCKET,OIL PUMP
2	1	22100MR5870 OUTER COMP.,CLUTC
3	1	22116ME9000 GUID.CLUTCH OUTER
4	1	22120MR5670 CENTER,CLUTCH
5	5	22201MJ1761 DISK,CLUTCH FRICT
6	2	22201MM5000 DISK,CLUTCH FRICT
7	6	22321MR5670 PLATE,CLUTCH
8	1	22350MK3770 PLATE,CLUTCH PRES
9	1	22366MR5670 JOINT PIECE,CLUTC
10	5	22401MR5672 SPRING,CLUTCH
11	1	22850MR5670 ROD,CLUTCH LIFTER
12	1	23110MR5870 GEAR ASSY.,PRIMAR
13	5	90021MR5670 BOLT-WASH,6X20

14	1	90231MM5000 NUT,LOCK 22MM
15	1	90432MB0010 WASHER,SPG.22MM
16	1	91008KK6000 (91011-KK6-013) BRG,BALL 17X35X8 Note: this part is superseded by 91010HC0003.
16	1	91008362000 (91011-KK6-013) B/BRG RAD N/COM Note: this part is superseded by 91008KK6000.
16	1	91010HC0003 (91011-KK6-013) BRG,BALL 17X35X8 Note: this part is superseded by 91011KK6013.
17	1	91024MB0003 BRG,NDL.35X42X30
17	1	91024MB0004 (91024-MB0-003) NEEDLE BRG. Note: this part is superseded by 91024MB0003.
18	1	9460115000 CLIP,PISTON PIN





**CRANK CHART A**

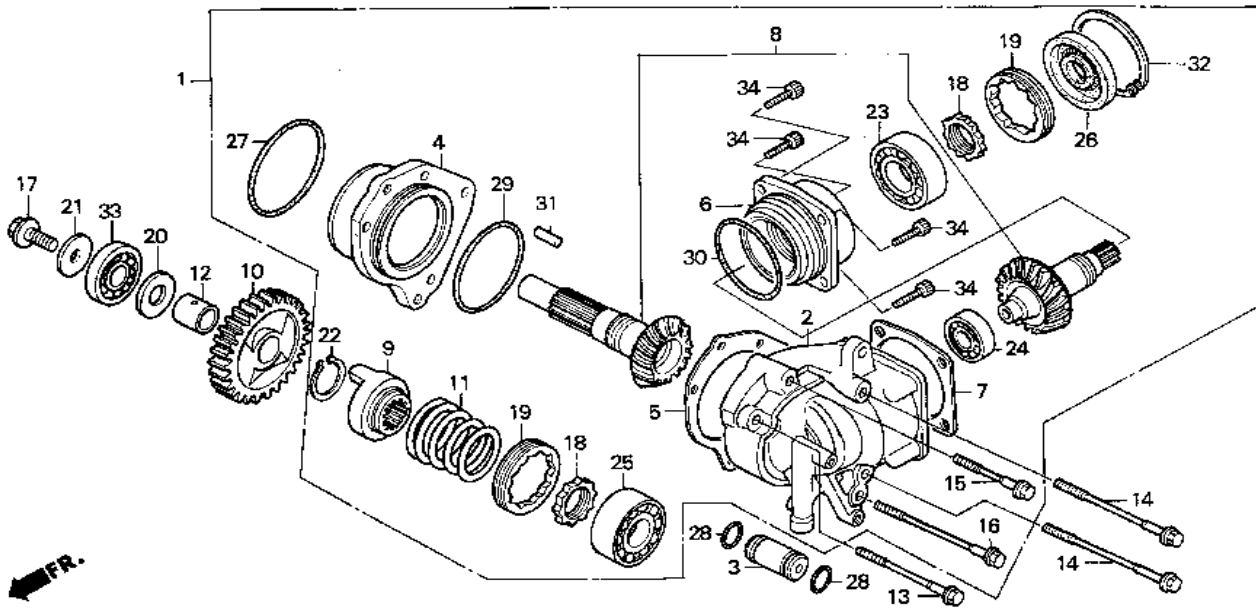
img#	Quantity	Part	Area	Serial#
1	2	10200MR5670 MOUNT RUBBER,A EN		
2	2	10210MR5670 MOUNT RUBBER,B EN		
3	2	10220MR5670 MOUNT RUBBER,C EN		
4	1	11100MR5670 (11100-MR5-671) CRANK CASE COMP,R Note: this part is superseded by 11100MR5671.		
5	2	11146ME9000 OIL JET		
6	Not Available	11200MR5670 CRANK CASE COMP,L		
7	1	11211MR5670 (11211-MK7-770) PLUG,L.CRANKCASE Note: this part is superseded by 11211MK7770.		
7	1	11211MK7770 PLUG,L.CRANKCASE		
8	2	13325ME9305 BEARING A,MAIN		
8	2	13326ME9305 BEARING B,MAIN		
8	2	13327ME9305 BEARING C,MAIN		
9	1	15155300000 COLLAR,O RING		
10	1	15171ME9000 GUIDE,LIFTER ROD		
11	1	15172ME9000 PLATE,ORIFICE		
12	1	32101MR5870 SUB HARNESS,ENGEI		
13	1	35500MJ4014 (35500-MJ4-024) SW ASSY OIL PRESU Note: this part is superseded by 35500MJ4024.		
13	1	35500MJ4024 SW.ASSY OIL PRESS		
14	1	35600425023 SW ASSY NEUTRAL		
15	1	90002MG8000 BOLT ORIFICSE 1.6		
16	1	90005MK7670 BOLT,FLANGE 8X120		
17	1	90006MK7670 BOLT,FLANGE 8X135		
18	4	90011MR5670 BOLT,STUD,8X257		

19	4	90012MR5670 BOLT,STUD,10X270
20	4	90013MR5670 BOLT,STUD,10X259
21	1	90081MC7000 BOLT,PLUG,14MM
22	1	90122ME9000 BOLT,SOC.,8X105
23	1	90126MK7670 BOLT,FLANGE SOCKE
24	5	90441ME9000 WASH,SEALING,8MM
25	1	90443KR0000 WASHER,NEUTRAL
26	1	90444MG8000 PLATE,SEALING,6MM
27	1	91204MB0013 OIL SEAL,8X25X8
28	1	91303KF0003 (91356-MA6-005) O-RING,14.8X2.4 Note: this part is superseded by 91356MA6005.
28	1	91356MA6005 O-RING,14.8X2.4
29	2	91305MG7003 O-RING,5X1.7
30	1	91351MG7004 O-RING,35.3X2.4
31	1	9410914000 WASHER,PLUG DRAIN 14
32	6	9430114200 DOWEL,PIN,14X20
33	3	957010605000 BOLT,FLANGE,6X50
34	2	957010609000 BOLT,FLANGE,6X90
35	3	957010804500 BOLT,FLANGE,8X45
36	4	957010808000 BOLT,FLANGE,8X80
37	2	957010810000 BOLT,FLANGE,8X100
38	1	958010610000 BOLT,FLANGE,6X100
39	2	961006304000 B/BRG RAD N/COM

**CRANK CHART B**

img#	Quantity	Part	Area	Serial#
1	2	13011MR5305 RING SET,PISTON (		
1	2	13021MR5305 RING SET,PISTON (		
1	2	13031MR5305 RING SET,PISTON (		
2	2	13101MR5670 PISTON		
2	2	13102MR5305 PISTON (0.25)		
2	2	13103MR5305 PISTON (0.50)		
3	2	13111ME9000 PIN,PISTON		
4	4	13205ME2000 NUT,CONN.ROD		
5	2	13207MR5670 (13210-MR5-405) ROD ASSY.A,CONNEC Note: this part is superseded by 13208MR5670.		
5	2	13208MR5670 (13210-MR5-405) ROD ASSY,B.CONNec Note: this part is superseded by 13209MR5670.		
5	2	13209MR5670 (13210-MR5-405) CONN ROD ASSY C Note: this part is superseded by 13210MR5405.		
5	2	13210MR5405 CONN-ROD,ASSY		
5	2	13210MR5670 (13210-MR5-405) CONN ROD ASSY D Note: this part is superseded by 13210MR5405.		
6	4	13213ME2000 BOLT,CONN.ROD		
7	4	13217MR5671 BRG,CONNROD C		
7	4	13218MR5671 BEARING D,CONNECT		
7	4	13219MR5671 BEARING E,CONNECT		
8	1	13300MR5670 CRANK SHAFT COMP,		
9	1	14311ME9000 SPRKT,CAMCHAIN		
10	1	30211MR5000 PLATE,PULSER		
11	1	90025MK7670 BOLT,FRANGE UBS 1		

12	1	90402PC6000 WASH,12.5X34X5
13	4	90601KA5000 CLIP,PISTON PIN
14	1	90741413000 KEY,SPL.WOODRUFF

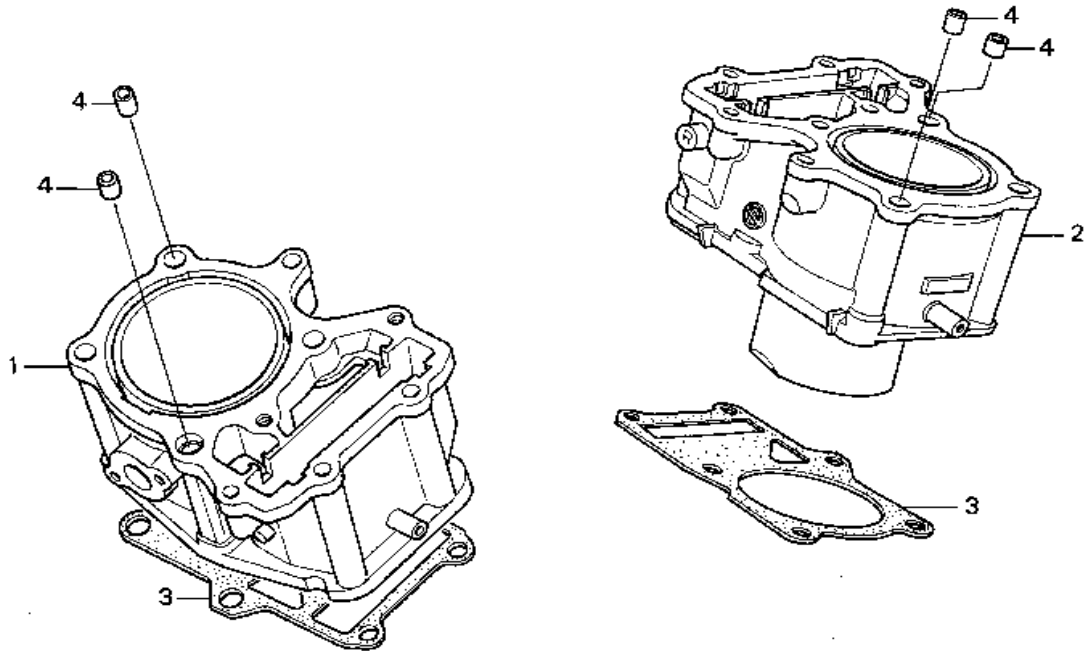


**CROSS SHAFT**

img#	Quantity	Part
1	1	21100MR5670 CASE ASSY,SIDE GE
2	Not Available	21200MR5670 CASE, SIDE GEAR
3	1	21215ME9000 ORIFICE,GEAR CASE
4	Not Available	21281MR5670 HOLDER
5	1	21311MG8000 SIM FINL D/S 0.4
5	1	21312MG8000 SIM FINAL D/S0.45
5	1	21313MG8000 SIM FINAL D/S 0.5
5	1	21314MG8000 SIM FINL D/S 0.55
5	1	21315MG8000 SIM FINL D/S 0.6
6	1	21371MM8680 HOLDER,CROSS SHAF
7	1	21377MB0770 SHIM CROSS SHAFT
7	1	21378MB0770 SHIM CROSS SHAFT
7	1	21379MB0770 SHIM,CROSS SHAFT

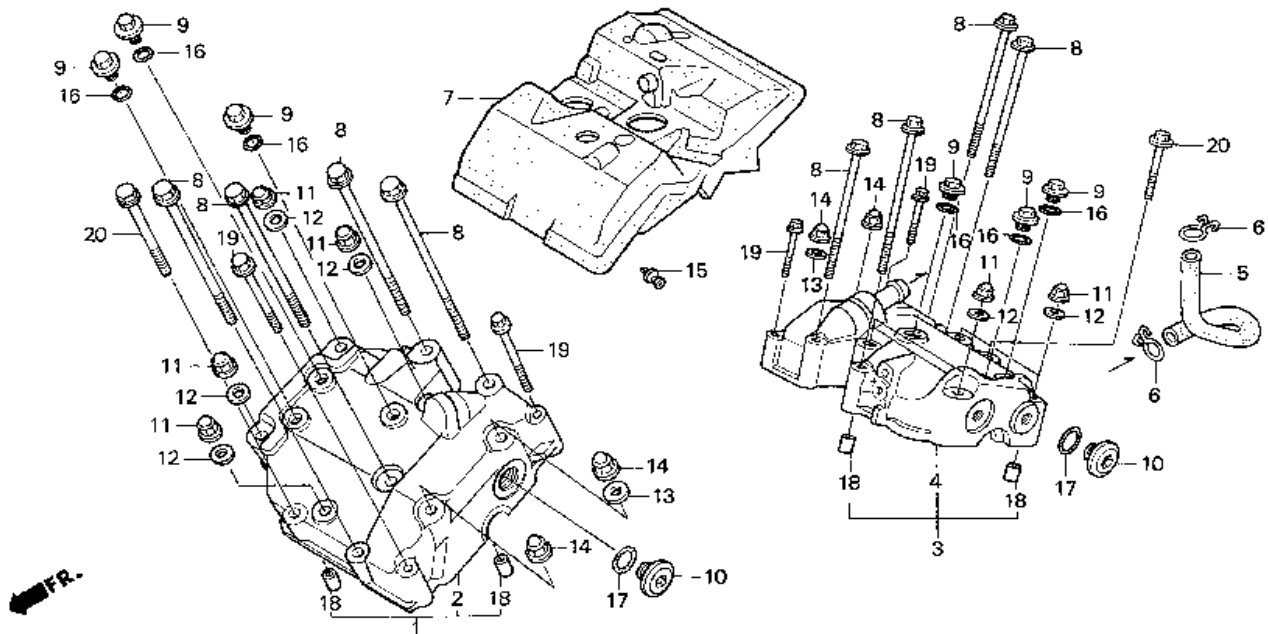
7	1	21380MB0770 SHIM CROSS SHAFT
7	1	21381MB0770 SHIM,CROSS SHAFT
7	1	21382MB0770 SHIM,CROSS SHAFT
7	1	21383MB0770 SHIM,CROSS SHAFT
7	1	21384MB0770 SHIM,CROSS SHAFT
7	1	21385MB0770 SHIM,CROSS SHAFT
8	1	23200MR5670 SHAFT SET,CROSS
9	1	23721ME9000 LIFTER,DAMPER
10	1	23726MR5670 GEAR,DAMPER SHAFT
11	Not Available	23732MR5670 SPRING, DAMPER
12	1	23733ME9000 COLLAR,20X24X18.5
13	1	90029MG8000 BOLT UBS,8X60
14	2	90030MG8000 BOLT UBS,8X105
15	1	90031MG8000 BOLT,UBS,8X45
16	1	90032MG8000 BOLT,UBS,8X85
17	1	90037ME9000 BOLT,SPECIAL 10MM
18	2	90241MB0000 NUT, LOCK, 30MM
19	2	90242MB0000 NUT, LOCK, 64MM
20	1	90451426000 WASHER THRUST 20M
21	1	90459438000 WASHER,10.2MM
22	1	90602463000 CIRCLIP,EXTL,28MM
23	1	91008300008 (91012-MG7-003) B/BRG N/RAD N/COM Note: this part is superseded by 91012MG7003.
23	1	91012MG7003 BRG,RADIAL BALL

24	1	91011MB0003 B/BRG RAD N/COM
24	1	91011MB0004 (91011-MB0-003) B/BRG.RAD N/COM Note: this part is superseded by 91011MB0003.
25	1	91012MG8003 B/BRG N/RAD N/COM
26	1	91205MG7003 OIL SEA,25X66X8.5
27	1	91300MG7003 O-RING 69.5X2.25
28	2	91307422000 (91313-MA6-005) O-RING,4.9X1.9 Note: this part is superseded by 91313MA6005.
28	2	91313MA6005 O-RING,4.8X1.9
29	1	91310MG7003 O-RING,64.5X3
30	1	91314MG7003 O-RING,69.5X3
31	1	9430210200 PIN,KNOCK,10X20
32	1	9452065120 CIRCLIP,INTERNAL,
33	1	961006304000 B/BRG RAD N/COM
34	4	967000802217 SOCKET BOLT,8X22



**CYLINDER**

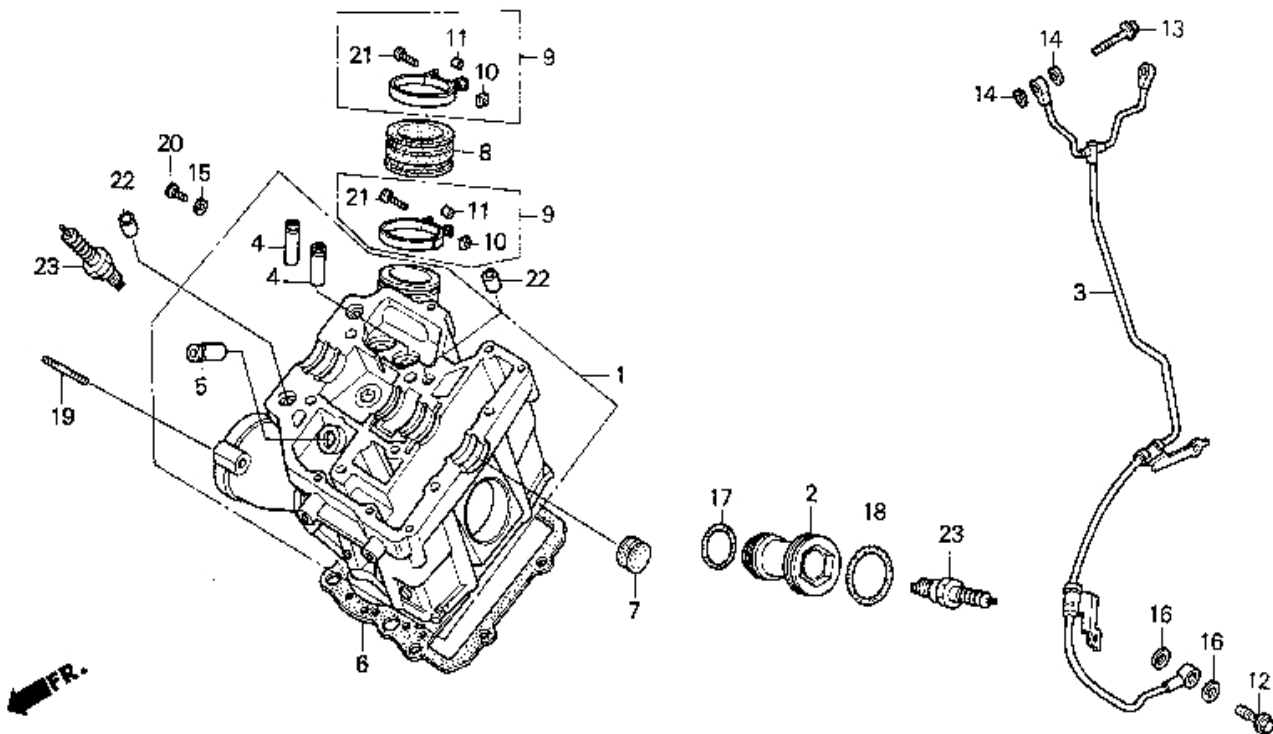
img#	Quantity	Part
1	1	12100MR5670 CYLINDER COMP,FR
2	1	12110MR5670 CYLINDER COMP,RR
3	2	12191MK7671 GASKET,CYLINDER
4	4	9430114200 DOWEL,PIN,14X20



### CYLINDERHEAD COVER

img#	Quantity	Part
2	1	12310MR5670 COVER,FR CYLINDER
4	Not Available	12320MR5670 COVER, RR. CYL HD
5	1	17225MR5000 TUBE BREATHER
6	2	17724102700 CLIP,TANK HOSE
7	1	19610MR5000 COVER,ENG TOP
8	8	90015MG8000 BOLT FLANGE,8X150
9	6	90047MK7671 BOLT,SEALING,14MM
10	6	90048MR5670 BOLT,SEALING 22MM
11	8	90202329000 NUT,FLANGE,10MM
12	8	90403MR5670 WASHER,SEALING,10
13	3	90441MG8000 WASHER SEALING 8
14	4	90443107000 NUT,HEX.CAP
15	6	90658KM1003 RIVET,SCREW

16	6	91301KJ9000 (91301-PC0-003) O-RING.13.8X1.9 Note: this part is superseded by 91301PC0003.
16	6	91301PC0003 O-RING 13.8X1.9
17	6	91310MB0003 (91310-KE8-003) O-RING,21.6X2 Note: this part is superseded by 91310KE8003.
19	4	957010605500 BOLT,FLANGE,6X55
20	2	957010805500 BOLT,FLANGE,8X55



**FRONT CYLINDER HEAD**

img#	Quantity	Part
1	1	12210MR5670 HEAD COMP.,FR.CYL
2	1	12225ME9000 SLEEVE,PLUG
3	1	12230MR5670 PIPE A,OIL PATH
4	2	12231MG8305 GUIDE,IN.VALVE
5	1	12233MG8305 (12233-MG8-405) GUIDE,EX.VALVE Note: this part is superseded by 12233MG8405.
5	1	12233MG8405 GUIDE,VALVE
6	1	12251MR5670 GASKET,CYLINDER H
7	2	12312ME9750 PLUG CAM SHAFT
8	1	16211MR5670 INSULATOR,CARB
9	2	16219MR5870 BAND,INSULATOR
10	2	16222MR5670 NUT,SQUARE,5MM
11	Not Available	16223MR5870 COLLAR

12	1	90046MR5670 BOLT,OIL CONTROL
13	2	90130MK7671 BOLT,SPECIAL,7X38
14	4	90441MC0000 WASH,SEALING,7MM
15	1	90452323000 WASHER 5MM
16	2	90545300000 WASHER,OIL BOLT
17	1	91304MG7003 O-RING,27.4X2.4
18	1	91351MG7004 O-RING,35.3X2.4
19	2	92900080320E BOLT,STUD,8X32
20	1	93500050080A SCREW,CROSS 5X8
21	2	93500050200G SCREW,PAN,5X20
22	2	9430114200 DOWEL,PIN,14X20
23	2	9806956916 SPARK PLUG(DPR6EA
23	2	9806956926 PLUG,SPARK (X20EP
23	2	9806957916 SPARK PLUG(NGK)
23	2	9806957926 SPARK PLUG (ND)
23	2	9806958916 SPARK PLUG (NGK)
23	2	9806958926 SPARK PLUG (ND)

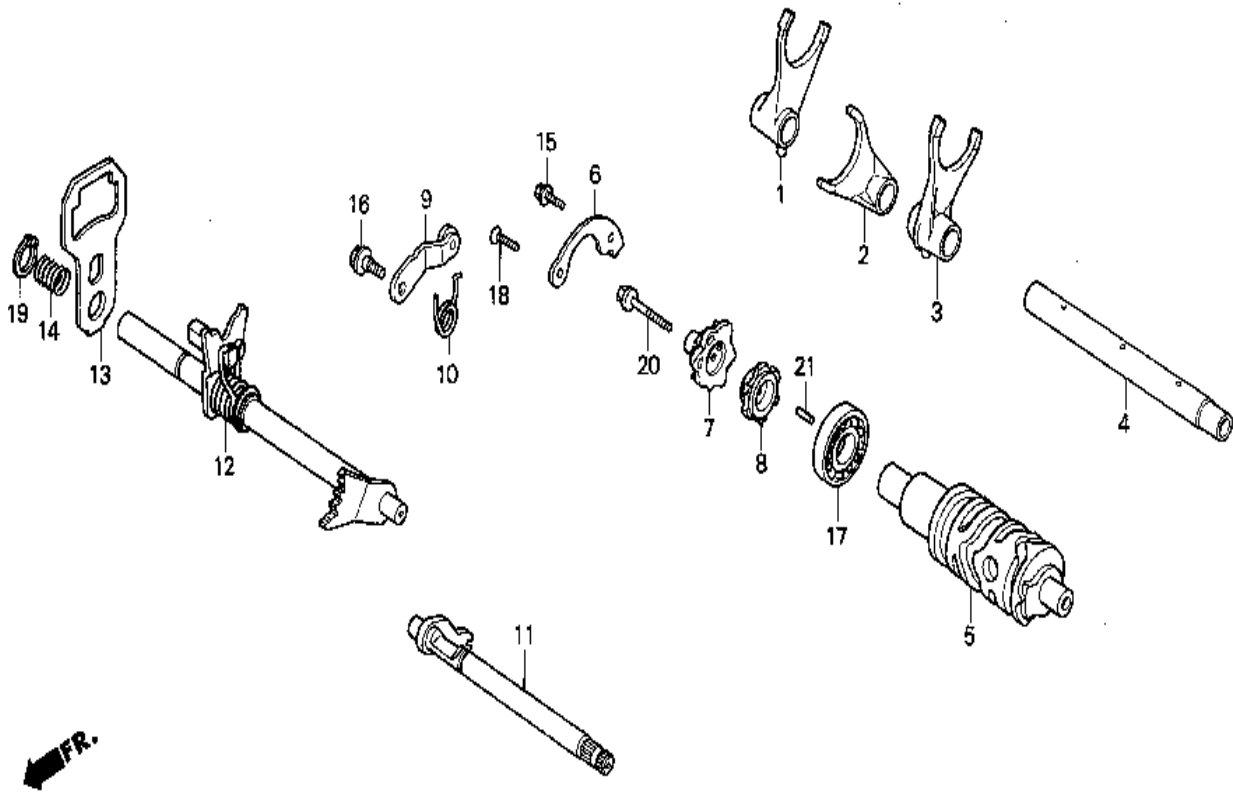
### GASKET KIT A

img#	Quantity	Part
0	1	061A1MR5405 GASKET,KIT.A
0	1	061A1MR5671 (061A1-MR5-405) GASKET KIT A Note: this part is superseded by 061A1MR5405.
1	2	12191MK7671 GASKET,CYLINDER
2	2	12209413003 SEAL,VALVE,STEM
3	4	12212MR5671 SEAL,VALVE STEM (
4	2	12251MR5670 GASKET,CYLINDER H
6	2	18291ME9000 (18291-MM8-880) GASKET,EX.PIPE Note: this part is superseded by 18291ME9306.
6	2	18291ME9306 (18291-MM8-880) GASKET,EXH PIPE Note: this part is superseded by 18291MM8880.
6	2	18291MM8880 GASKET,EX.PIPE
7	4	90441MC0000 WASH,SEALING,7MM
8	4	90441706000 WASHER SEAL, 6MM
9	2	90545300000 WASHER,OIL BOLT
10	6	91301KJ9000 (91301-PC0-003) O-RING.13.8X1.9 Note: this part is superseded by 91301PC0003.
10	6	91301PC0003 O-RING 13.8X1.9
11	2	91304MG7003 O-RING,27.4X2.4
12	6	91310MB0003 (91310-KE8-003) O-RING,21.6X2 Note: this part is superseded by 91310KE8003.
13	3	91351MG7004 O-RING,35.3X2.4

### GASKET KIT B

img#	Quantity	Part
0	1	061B1MR5405 GASKET,KIT.B
0	1	061B1MR5670 (061B1-MR5-405) GASKET KIT B Note: this part is superseded by 061B1MR5405.
1	1	11394MK7306 (11394-MR5-801) GSKT,R COVER Note: this part is superseded by 11394MR5801.
1	1	11394MK7670 (11394-MR5-801) GASKET,R COVER Note: this part is superseded by 11394MK7306.
1	1	11394MR5801 GASKET,R COVER
2	1	11395MR5306 (11395-MR5-800) GSKT,L CK/C Note: this part is superseded by 11395MR5800.
2	1	11395MR5670 (11395-MR5-800) GASKET,L.CRANKCAS Note: this part is superseded by 11395MR5306.
2	1	11395MR5800 GASKET,L COVER
3	1	15154425000 PKG OIL STRAINER
4	1	19226ME9000 GSKT,WATER PUMP
5	1	90441706000 WASHER SEAL, 6MM
6	1	91300MG7003 O-RING 69.5X2.25
7	1	91301ML7003 O RING,48.1X3.6
8	1	91301250000 (91307-425-003) O RING,21.5M/M Note: this part is superseded by 91307425003.
8	1	91307425003 O-RING,21.5X3.2
9	1	91302MB0013 O-RING 32.95X2.62
10	1	91303KF0003 (91356-MA6-005) O-RING,14.8X2.4 Note: this part is superseded by 91356MA6005.
10	1	91356MA6005 O-RING,14.8X2.4
11	2	91305MG7003 O-RING,5X1.7
12	2	91307422000 (91313-MA6-005) O-RING,4.9X1.9 Note: this part is superseded by 91313MA6005.

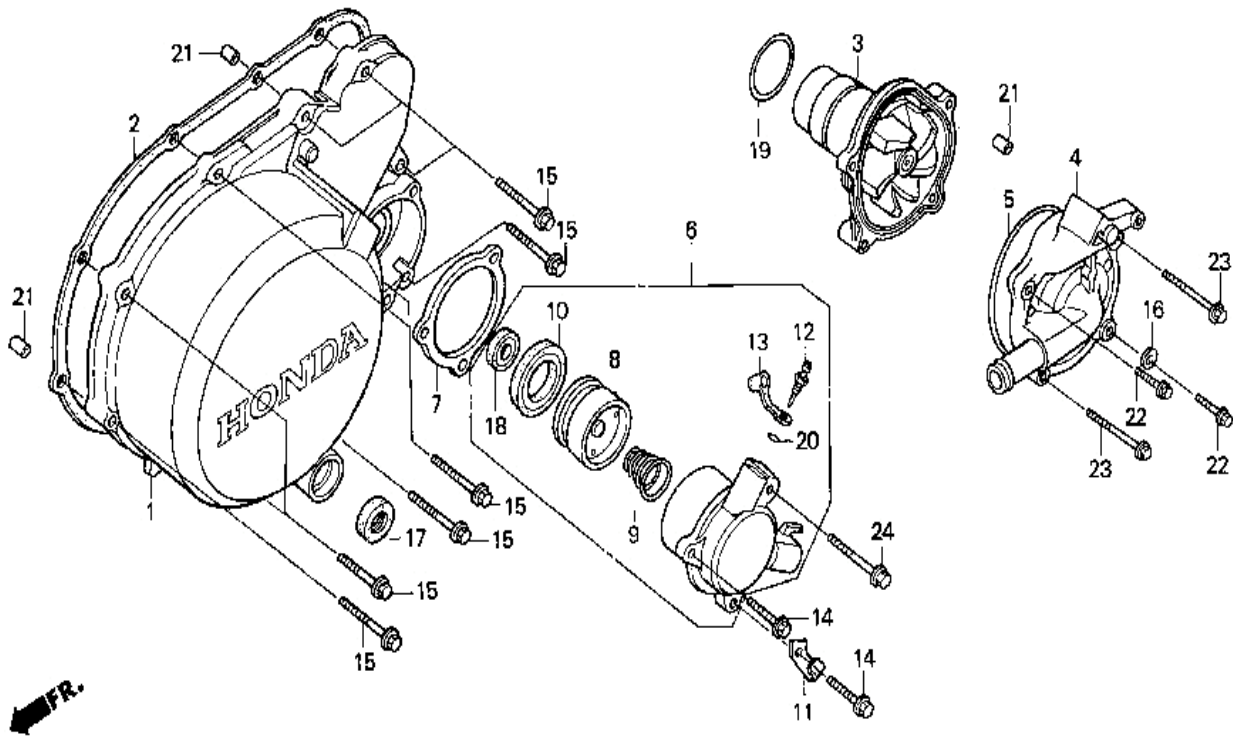
12	2	91313MA6005 O-RING,4.8X1.9
13	2	91309MB0003 O-RING,14.7X3.7
14	1	91309425003 (91312-MG7-003) O-RING,24.4X3.1 Note: this part is superseded by 91312MG7003.
14	1	91312MG7003 O-RING,24.4X3.1
16	1	91311MB0003 O-RING,18.8X2.4
18	2	91315ME9004 (91315-ME9-003) SEAL,WATER PIPE Note: this part is superseded by 91315ME9003.
18	2	91315ME9003 SEAL,WATER PIPE
19	1	91351MG7004 O-RING,35.3X2.4
20	2	91356169003 O-RING
21	1	9410914000 WASHER,PLUG DRAIN 14



### GEARSHIFT DRUM

img#	Quantity	Part
1	1	24211MR5870 FORK,R.GEARSHIFT
2	1	24212MR5670 FORK C,GEAR SHIFT
3	1	24213MR5870 FORK,L.GEARSHIFT
4	1	24261MR5670 SHAFT COMP,GEAR S
5	1	24302MR5670 DRUM,GEARSHIFT
6	1	24310MK7670 PLATE,SHIFT DRUM
7	1	24411MR5671 CAM GEAR SHIFT
8	1	24413KA6003 ROTOR,STOPPER
9	1	24430MR5670 STOPPER COMP,GEAR
10	1	24435ME9000 PIN,DOWEL,6X20
11	1	24610MR5670 SPINDLE COMP A,GE

12	1	24615MR5670 SPINDLE COMP B,GE
13	1	24621MG8000 PLATE,GEARSHIFT
14	1	24631362000 SPRING,PLATE
15	1	90001GHB630 (90004-GHB-630) BOLT,FLANGE,6X16 Note: this part is superseded by 90004GHB630.
15	1	90004GHB630 BOLT,FLANGE,NSHF,
16	1	90023MR5670 BOLT,GEARSHIFT DR
17	1	91006MCKA01 BRG,BALL RADIAL 1
17	1	91006MG8003 (91006-MCK-A01) B/BRG RAD N/COM Note: this part is superseded by 91006MCKA01.
18	1	93600060160A SCREW FLAT 6X16
19	1	9451012000 CIRCLIP,EX,12
20	1	957010603200 BOLT,FLANGE,6X32
21	1	9622230100 ROLLER, 3X10



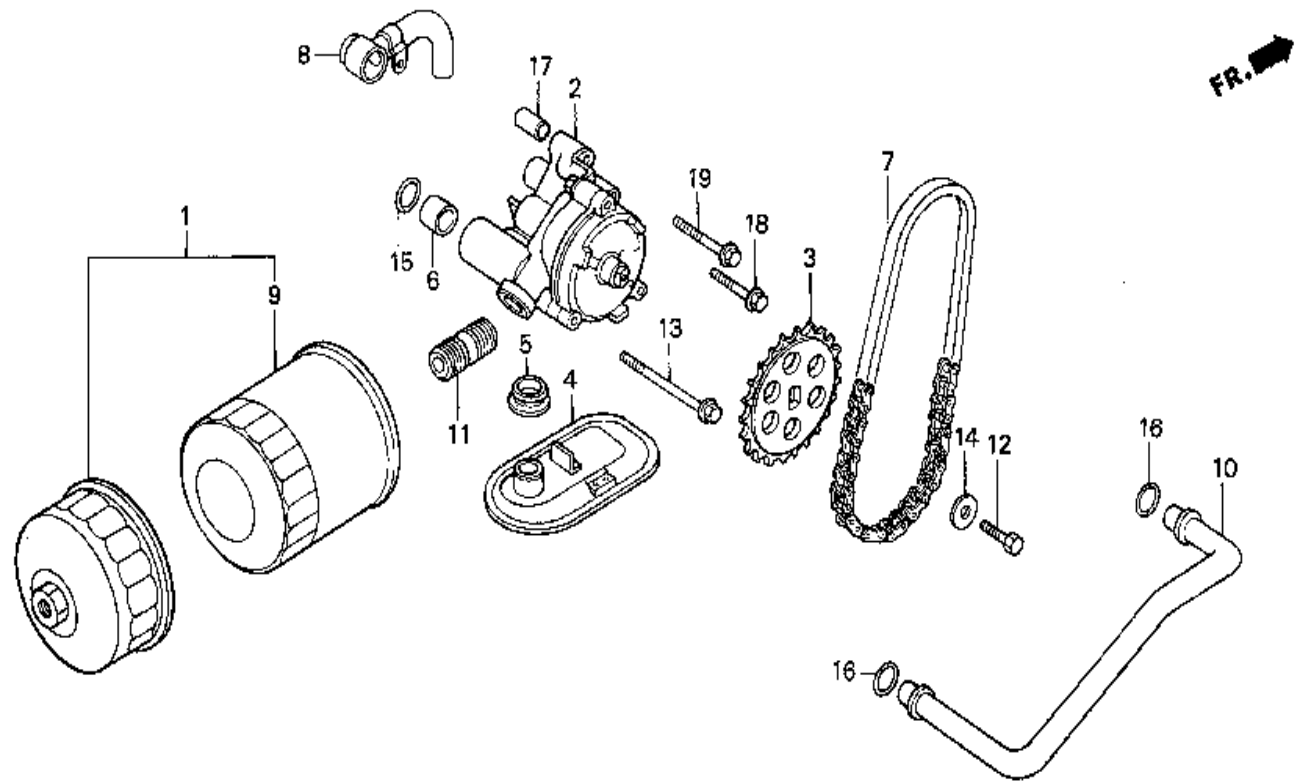
### LEFT CRANKCASE COVER

img#	Quantity	Part
1	1	11361MR5670 COVER,L CRANKCASE
2	1	11395MR5306 (11395-MR5-800) GSKT,L CK/C Note: this part is superseded by 11395MR5800.
2	1	11395MR5670 (11395-MR5-800) GASKET,L.CRANKCAS Note: this part is superseded by 11395MR5306.
2	1	11395MR5800 GASKET,L COVER
3	1	19200ME9020 (19200-ME9-040) PUMP COMP.,WATER Note: this part is superseded by 19200ME9030.
3	1	19200ME9030 (19200-ME9-040) PUMP COMP.,WATER Note: this part is superseded by 19200ME9040.
3	1	19200ME9040 PUMP COMP.,WATER
4	1	19221MK7772 (19221-MAA-000) COVER,WATER PUMP Note: this part is superseded by 19221MAA000.
5	1	19226ME9000 GSKT,WATER PUMP

6	1	22860MR6670 CYLINDER ASSY.,SL
7	1	22862MB0000 INSULATOR, SLAVE
8	1	22863MB0003 PISTON,SLAVE CYLI
9	1	22864MB0003 SPG,SLAVE CYLIN.
10	1	22865MB0003 CUP,PISTON
11	1	32111MR5000 CLAMPER,CORD
12	1	43352MG9006 SCREW,BLEEDER
13	1	43353MG9006 (43353-461-771) CAP,BLEEDER Note: this part is superseded by 43353461771.
13	1	43353443761 (43353-461-771) CAP, BLEEDER SCREW Note: this part is superseded by 43353461771.
13	1	43353461771 CAP,BLEEDER
14	2	90001GHB670 (90004-GHB-670) BOLT,FLANGE,6X25 Note: this part is superseded by 90004GHB670.
15	10	90001GHB700 BOLT,FLANGE,6X35
16	1	90441706000 WASHER SEAL, 6MM
17	1	91204425003 OIL SEAL 12.5X25X8
18	1	91209MB0003 OIL SEAL,8X18X5
19	1	91302MB0013 O-RING 32.95X2.62
20	1	91355MG9006 O-RING
21	3	9430108140 DOWEL,PIN,8X14
22	2	957010602500 BOLT,FLANGE,6X25
23	2	957010604500 (95701-060-4507) BOLT,FLANGE,6X45 Note: this part is superseded by 957010604507.
23	2	957010604507 BOLT,FLANGE 6X45
24	1	90001GHB700 BOLT,FLANGE,6X35





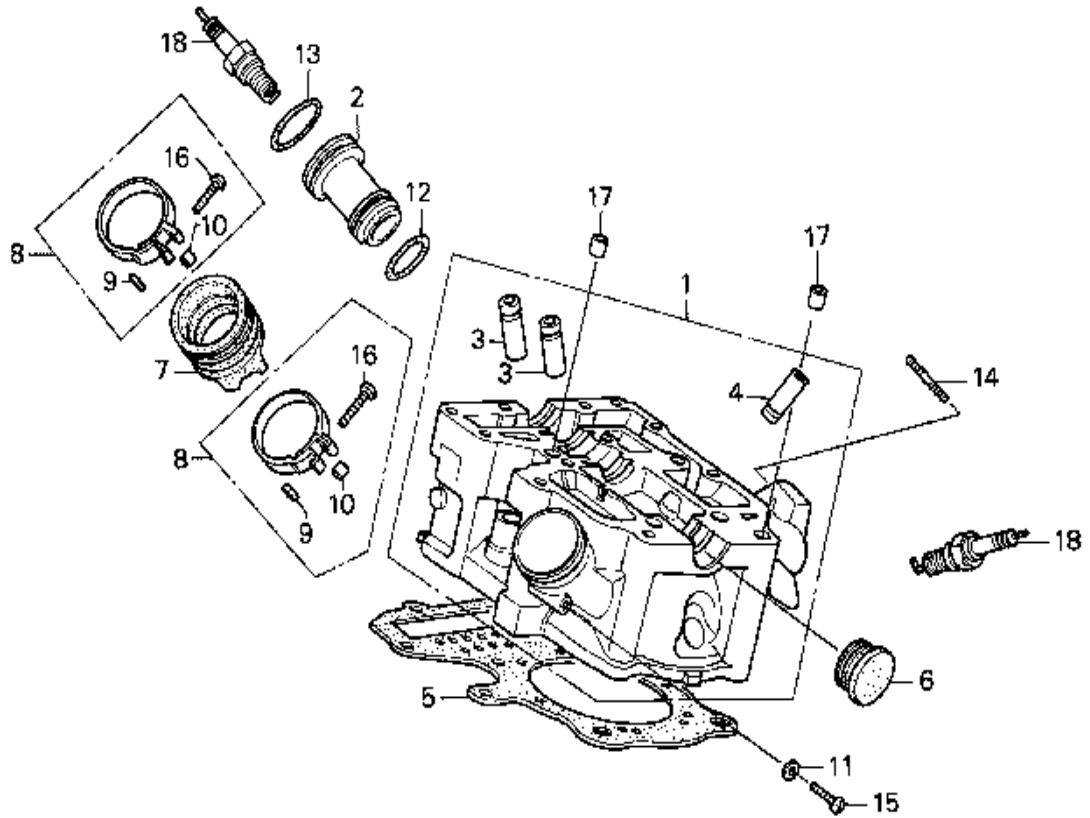


### OIL PUMP

img#	Quantity	Part
2	1	15100MR5670 PUMP ASSY.,OIL
3	Not Available	15134MR5870 SPROCKET
4	1	15153MK7770 STRAINER,OIL
5	1	15154425000 PKG OIL STRAINER
6	1	15155300000 COLLAR,O RING
7	1	15161ME5003 CHAIN,OIL PUMP.
8	1	15240MG8000 PIPE,OIL RELIFE
9	1	15410MM9003 (15410-MCJ-505) OIL FILTER CARTRI Note: this part is superseded by 15410MM9013.
9	1	15410MM9013 (15410-MCJ-505) CARTRIDGE,OIL FIL Note: this part is superseded by 15410MM9P00.
10	1	15511MG8000 PIPE,OIL

11	1	90019MB0000 BOSS, OIL FILTER
12	1	90021KE8010 BOLT HEX,6X16
13	1	90052ME9000 BOLT FLANG SH6X75
14	1	90488MB0000 WASHER, 6X2.3
15	1	91303KF0003 (91356-MA6-005) O-RING, 14.8X2.4 Note: this part is superseded by 91356MA6005.
15	1	91356MA6005 O-RING, 14.8X2.4
16	2	91309MB0003 O-RING, 14.7X3.7
17	1	9430108140 DOWEL, PIN, 8X14
18	1	960010603200 BOLT, FLANGE, 6X32
19	1	960010604000 BOLT, FLANGE, SH, 6X40

FR.



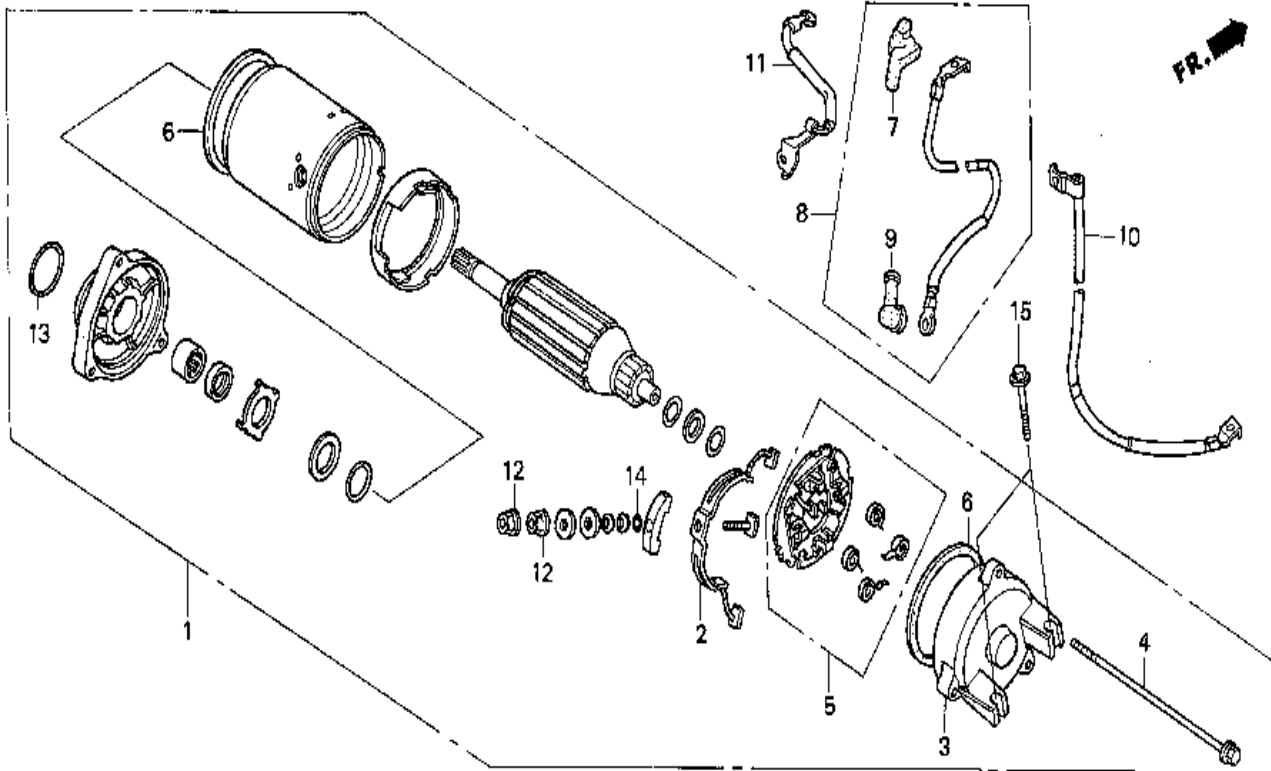
**REAR CYLINDER HEAD**

img#	Quantity	Part
1	Not Available	12220MR5870 CYLINDER HEAD, RR.
2	1	12225ME9000 SLEEVE,PLUG
3	2	12231MG8305 GUIDE,IN.VALVE
4	1	12233MG8305 (12233-MG8-405) GUIDE,EX.VALVE Note: this part is superseded by 12233MG8405.
4	1	12233MG8405 GUIDE,VALVE
5	1	12251MR5670 GASKET,CYLINDER H
6	2	12312ME9750 PLUG CAM SHAFT
7	1	16211MR5670 INSULATOR,CARB
8	2	16219MR5870 BAND,INSULATOR
9	2	16222MR5670 NUT,SQUARE,5MM

10	Not Available	16223MR5870 COLLAR
11	1	90452323000 WASHER 5MM
12	1	91304MG7003 O-RING,27.4X2.4
13	1	91351MG7004 O-RING,35.3X2.4
14	2	90035MR5870 BOLT,STUD
15	1	93500050080A SCREW,CROSS 5X8
16	2	93500050200G SCREW,PAN,5X20
17	2	9430114200 DOWEL,PIN,14X20
18	2	9806956916 SPARK PLUG(DPR6EA
18	2	9806956926 PLUG,SPARK (X20EP
18	2	9806957916 SPARK PLUG(NGK)
18	2	9806957926 SPARK PLUG (ND)
18	2	9806958916 SPARK PLUG (NGK)
18	2	9806958926 SPARK PLUG (ND)



7	2	90004GHB730 BOLT,FLANGE,NSHF,
8	1	91301ML7003 O RING,48.1X3.6
9	1	91301250000 (91307-425-003) O RING,21.5M/M Note: this part is superseded by 91307425003.
9	1	91307425003 O-RING,21.5X3.2
10	2	9430108140 DOWEL,PIN,8X14



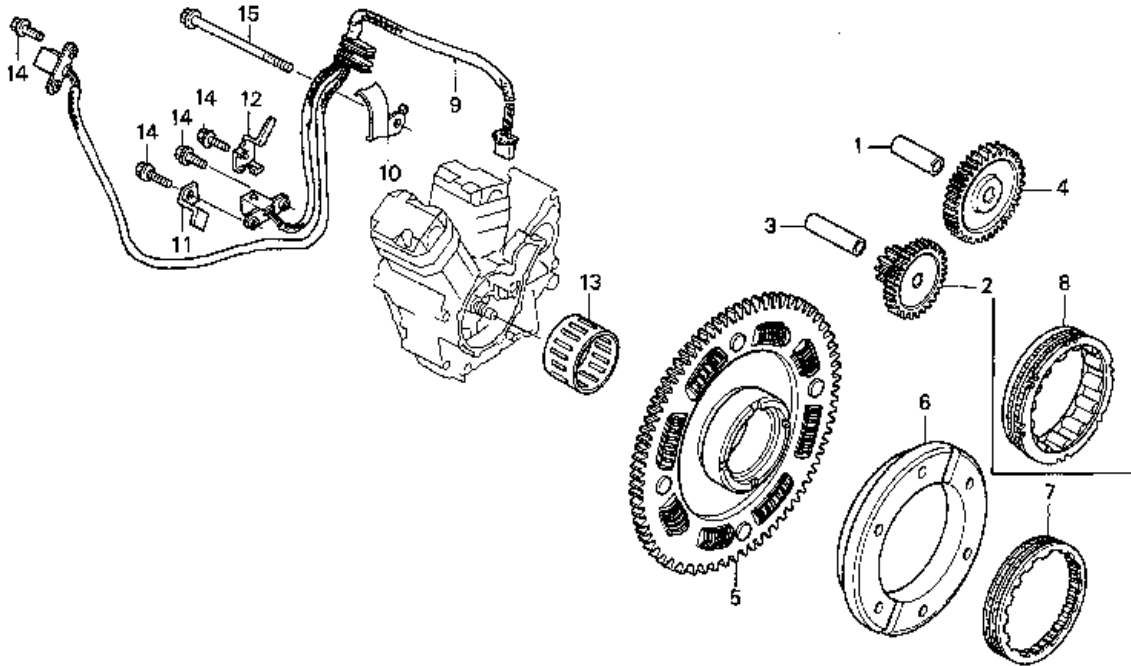
### STARTER MOTOR

img#	Quantity	Part	Serial#
1	1	31200MR5018 (31200-MR5-038) MOTOR ASSY.,START Note: this part is superseded by 31200MR5028.	Upto Serial#: 2103345
1	1	31200MR5028 (31200-MR5-038) MOTOR ASSY,STARTE Note: this part is superseded by 31200MR5038.	
1	1	31200MR5038 MOTOR ASSY STARTE	
2	1	31201MR6008 TERMINAL SET	
3	1	31203MR5008 REAR BRACKET	
4	3	31205MR1008 BOLT,SETTING	
5	1	31206MR6008 HOLDER SET,BRUSH	
6	2	31207KS5901 RING	
7	1	32406MR5000 COVER A,STARTER M	
8	Not Available	32410MR5870 CABLE, STARTER MOTOR	

9	1	32411230000 COVER,TERMINAL
9	1	32411253000 (32411-230-000) COVER TERMINAL Note: this part is superseded by 32411230000.
10	1	32601MR5870 CABLE,BATTERY EAR
11	1	32610MR5000 CABLE,ENGINE EART
12	2	90071MB0000 NUT-WASHER 6MM
13	1	91309425003 (91312-MG7-003) O-RING,24.4X3.1 Note: this part is superseded by 91312MG7003.
13	1	91312MG7003 O-RING,24.4X3.1
14	1	91320MB0000 O-RING
15	2	957010603200 BOLT,FLANGE,6X32







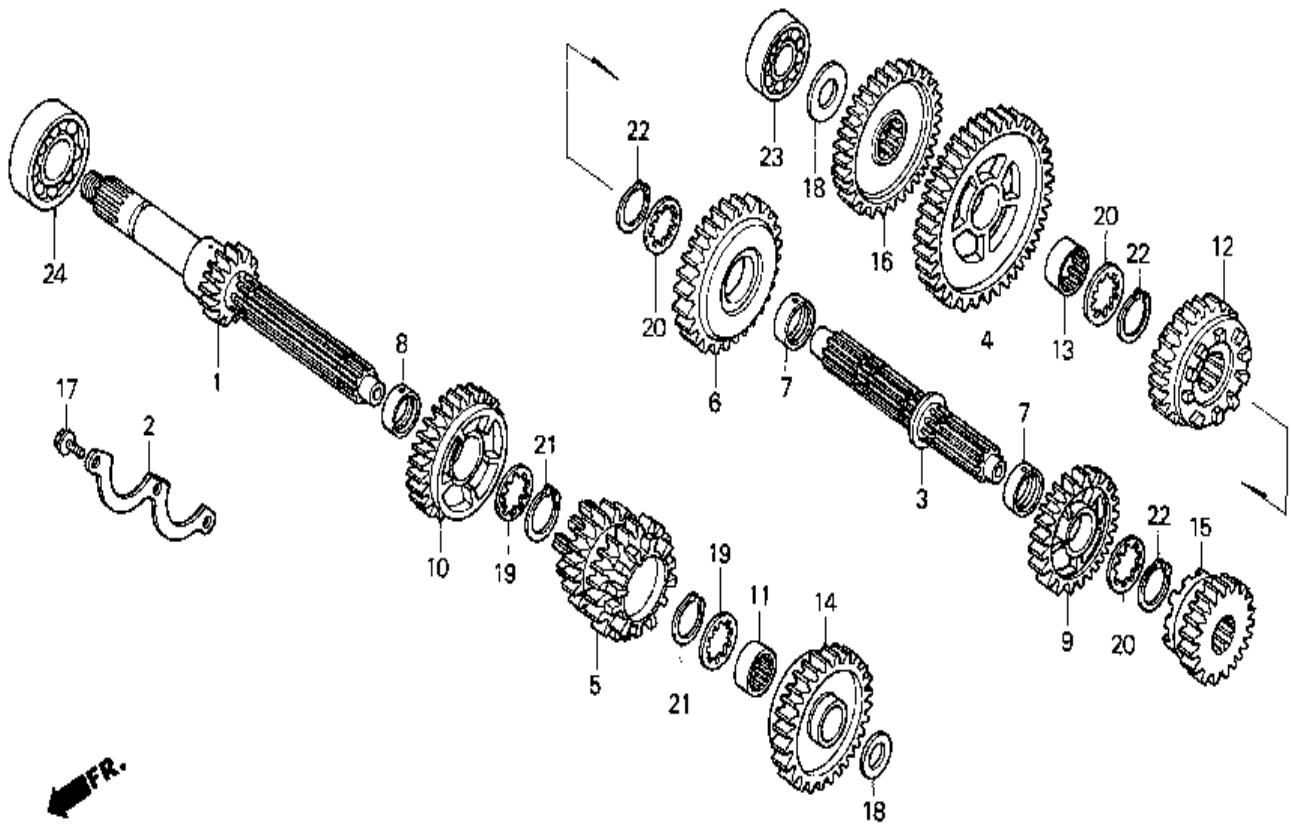
**STARTING DRIVEN GEAR**

img#	Quantity	Part	Serial#
1	1	13111GK8000 (13111-GS7-000) PIN PISTON Note: this part is superseded by 13111GS7000.	
1	1	13111GS7000 PIN,PISTON	
1	1	13111122000 (13111-GS7-000) PIN,PISTON Note: this part is superseded by 13111GS7000.	
2	1	28101ME9770 GEAR,REDUCT.START	
3	1	28102ME9000 PIN 10X44	
4	1	28106ME9770 GEAR,STARTER	
5	1	28110MR5670 GEAR COMP.,STARTI	
6	1	28121MK7671 OUTER,STARTING CL	
7	1	28125MK5023 (28126-MK5-004) CLUTCH ONEWAY Note: this part is superseded by 28126MK5004.	
7	1	28126MK5004 CLUTCH,ONEWAY	
9	1	30300MR5871 GENERATOR ASSY.,P	

9	1	30300MR5870 (30300-MR5-871) GENERATOR ASSY.,P Note: this part is superseded by 30300MR5871.	Upto Serial#: 2103335
10	NA	32962MR5000 CLAMP A, PULSE	
11	1	32963MM8000 CLAMPER B,PULSE	
12	NA	32964MR6000 CLAMP C, PULSE	
13	1	91021415005 NEEDLE BRG	
14	5	957010602008 BOLT,FLANGE,6X20	
15	1	957010808000 BOLT,FLANGE,8X80	



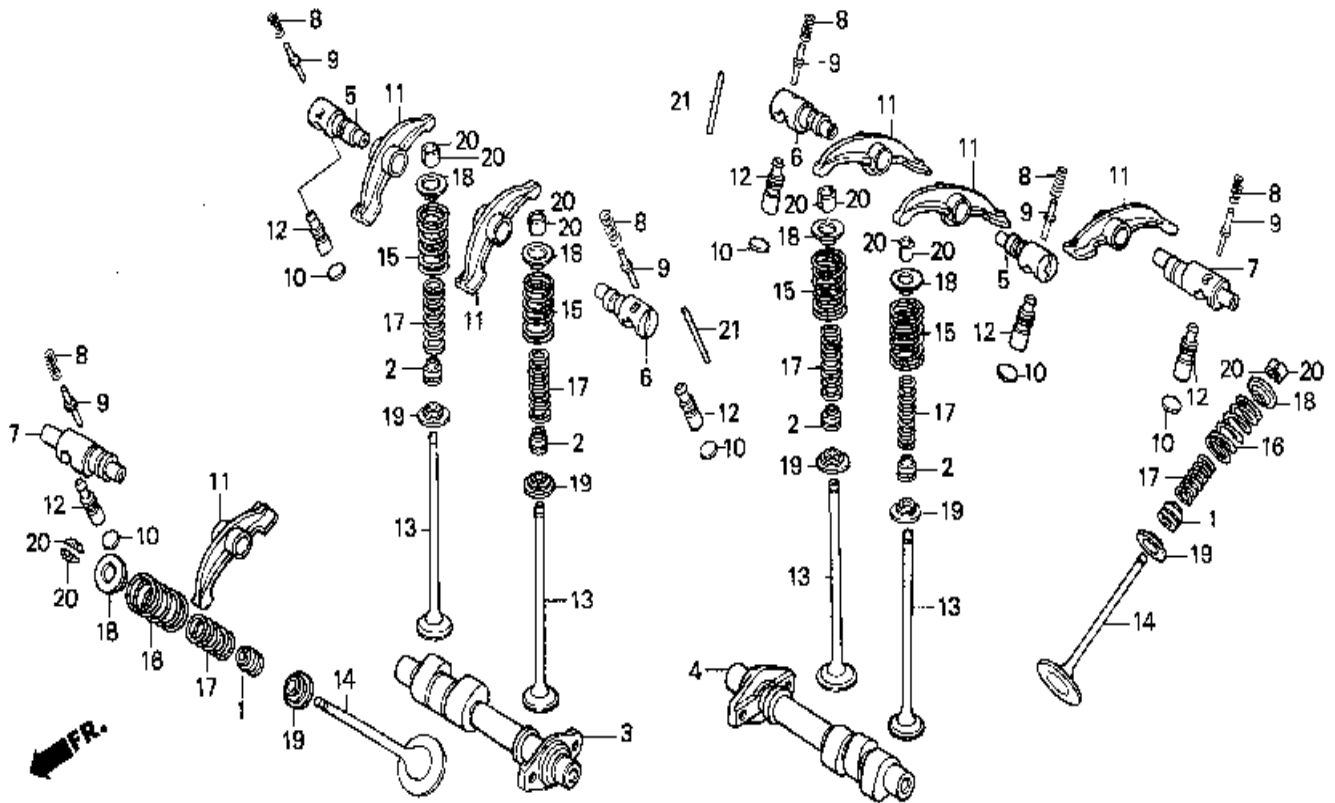




### TRANSMISSION

img#	Quantity	Part
1	Not Available	23211MR5870 MAINSHAFT
2	1	23212MK7670 PLATE,BEARING
3	Not Available	23220MR5670 COUNTERSHAFT
4	1	23421MR5670 GEAR,C-1
5	1	23431MR5870 GEAR,MAINSHAFT SE
6	1	23441MR5670 GEAR,C-2
7	1	23442MR5670 BUSH,28X31X10
8	1	23455HA7670 BUSH,C-3
9	1	23461MR5670 GEAR,C-3
10	1	23471MR5670 GEAR,M-4

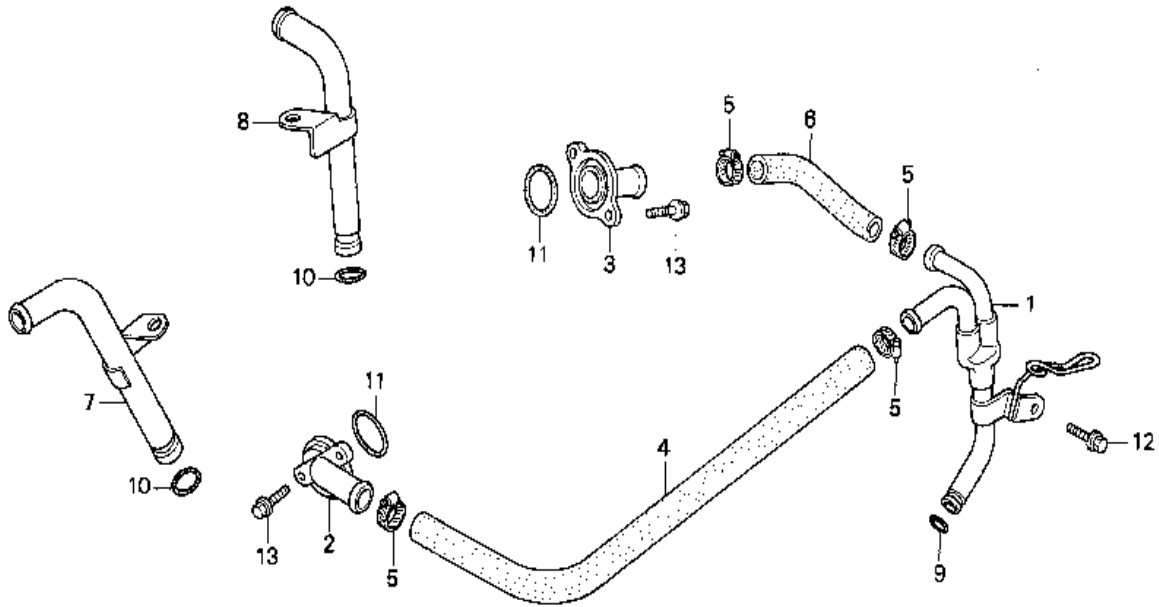
11	1	23472MR1000 COLLAR,SPLINE,25X
12	1	23481MR5670 GEAR,C-4
13	1	23482MR5670 COLLAR,SPLINE 28X
14	1	23491MR5870 GEAR,MAINSHAFT FI
15	1	23501MR5670 GEAR,C-5
16	Not Available	23725MR5670 GEAR (34T)
17	3	90001GHB630 (90004-GHB-630) BOLT,FLANGE,6X16 Note: this part is superseded by 90004GHB630.
17	3	90004GHB630 BOLT,FLANGE,NSHF,
18	2	90404KK0000 WASHER,20X37X2
19	2	90451KY2000 (90451-MR7-000) WASHER,SPLINE,25X Note: this part is superseded by 90451MR7000.
20	3	90452MR7000 WASHER SPLINE 28X
21	2	90601107000 CIR CLIP,25MM
22	3	90602MM5000 CIRCLIP,28MM
22	3	90603MN4000 (90602-MM5-000) CIRCLIP,28MM Note: this part is superseded by 90602MM5000.
23	1	961006304000 B/BRG RAD N/COM
24	1	961006305000 B/BRG RAD N/COM



### VALVE

img#	Quantity	Part
1	2	12209413003 SEAL,VALVE,STEM
2	4	12212MR5671 SEAL,VALVE STEM (
3	1	14110MR5670 CAMSHAFT,FR.
4	1	14120MR5670 CAMSHAFT,RR.
5	2	14451MR6670 SHAFT B,ROCKER AR
6	2	14452MR6670 SHAFT A,ROCKER AR
7	2	14453MR6670 SHAFT C,ROCKER AR
8	6	14461MK7670 SPRING,TAPPET ADJ
9	6	14462ME9020 SHAFT,TAPPET ADJU
10	0	14466ME9000 SHIM TAPPET ADJ.1
10	0	14467ME9000 SHIM T/ADJ NO 2

11	6	14611MR5670 ARM,ROCKER
12	6	14630ME9003 ADJ COMP HYDRAULI
13	4	14711MR5670 VALVE,INLET
14	2	14721MR5670 VALVE,EX.
15	4	14751ME9000 SPG,IN,VALVE OUT.
16	2	14752ME9000 SPG,EX,VALVE OUT.
17	6	14762MR5671 SPRING,VALVE INNE
18	6	14771410010 RETAINER,VALVE
19	6	14775ME9000 SEAT,VALVE SPG.
20	12	14781MB9000 COTTER,VALVE
21	2	90701MJ6000 PIN,ROCKER SHAFT



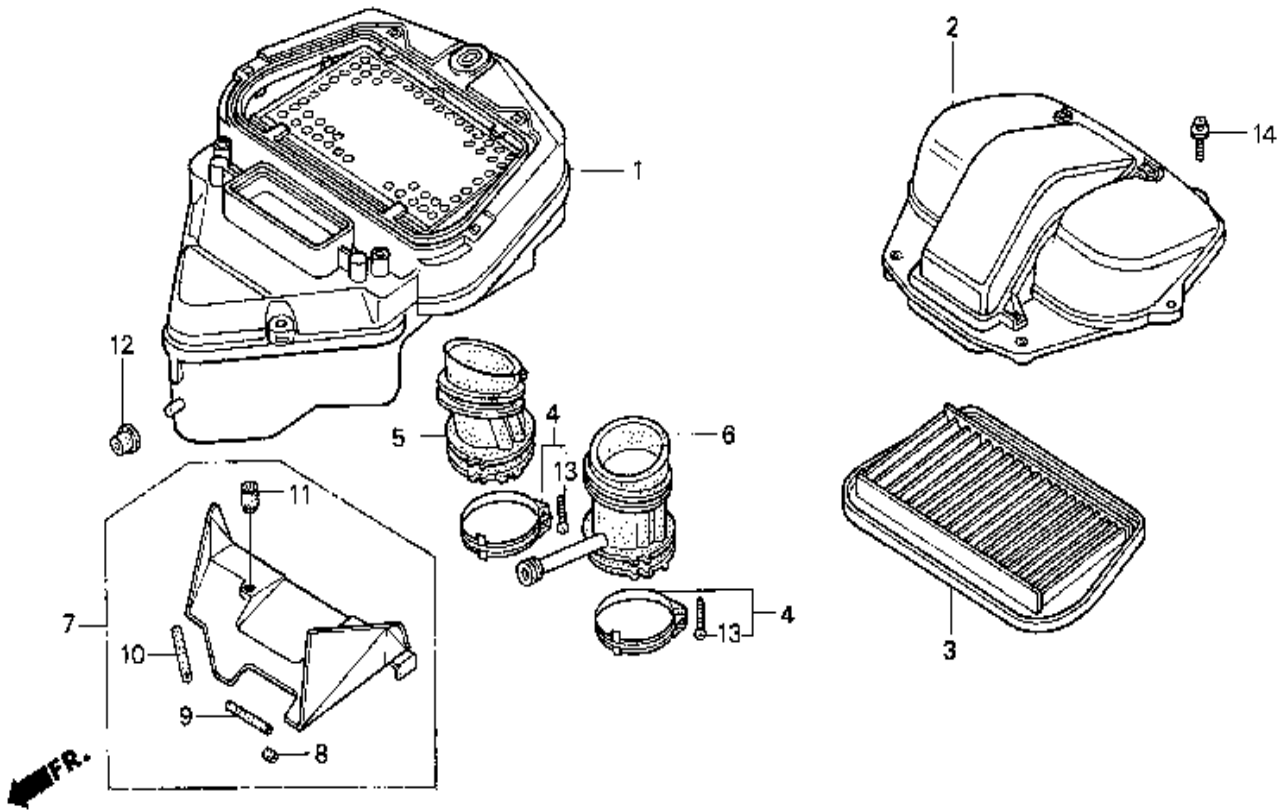
### WATER PIPE

img#	Quantity	Part
1	1	19501MR5670 PIPE,INLET WATER
2	1	19503MG8000 JOINT,A,WATER HOS
3	1	19504MG8000 JOINT,B,WATER HOS
4	1	19505MR5670 HOSE A,INLET WATE
5	4	19506KS6700 CLAMPER B,WATER H
6	1	19506MR5670 HOSE B,INLET WATE
7	1	19511MR5670 PIPE FR,OUTLET WA
8	1	19512MR5670 PIPE RR,OUTLET WA
9	1	91311MB0003 O-RING,18.8X2.4
10	2	91315ME9004 (91315-ME9-003) SEAL,WATER PIPE Note: this part is superseded by 91315ME9003.
10	2	91315ME9003 SEAL,WATER PIPE
11	2	91356169003 O-RING

12	1	957010601600 BOLT,FLANG,6X16
13	4	957010602000 BOLT,FLANGE,6X20







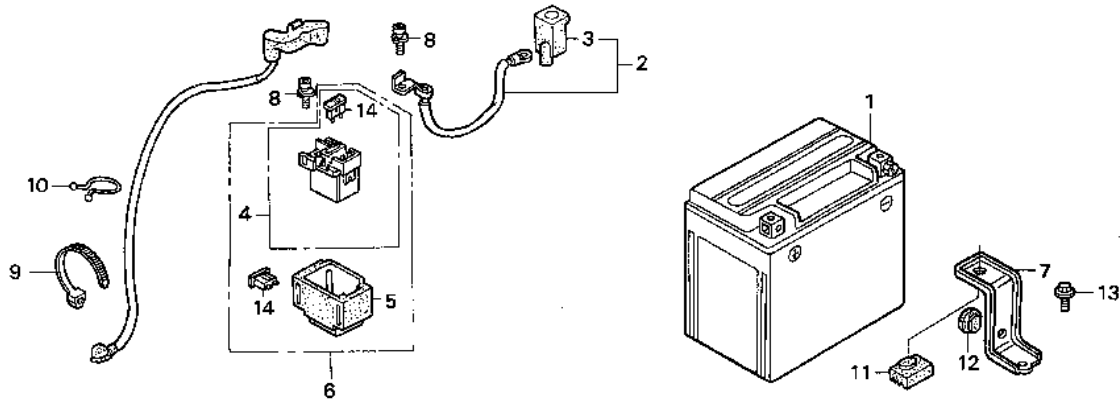
### AIR CLEANER

img#	Quantity	Part	Description
1	1	17210MR5000	CASE AIR/C
2	1	17213MR5000	COVER AIR/C
3	1	17230MR5000	ELEMENT, AIR/C
4	2	17254MM8000	BAND A, CONNECTING
		Note: this part is superseded by 17257HA0000.	
4	2	17257HA0000	BAND, INLET TUBE
5	1	17257MR5000	TUBE R AIR CONN
6	1	17258MR5000	TUBE L AIR/C CONN
7	1	19614MR5000	PLATE, AIR CLEANER
8	1	19618MR5300	RUBBER, STOPPER (B
9	1	19619MR5300	RUBBER, STOPPER (A
10	N/A 1	19635MR5300	GUARD, HARNESS

11	2	50348HA7670	RUBBER B,BATTERY
12	1	61312149300	BOOT,LT.BRACKET
13	2	93500040200G	SCREW,PAN,4X20
14	6	938910501600 Honda Code 93891-05016-00	SCREW WASH 5X16
14	6	938910501610 Note: this part is superseded by 938910501600.	SCREW-WASHER,5X16





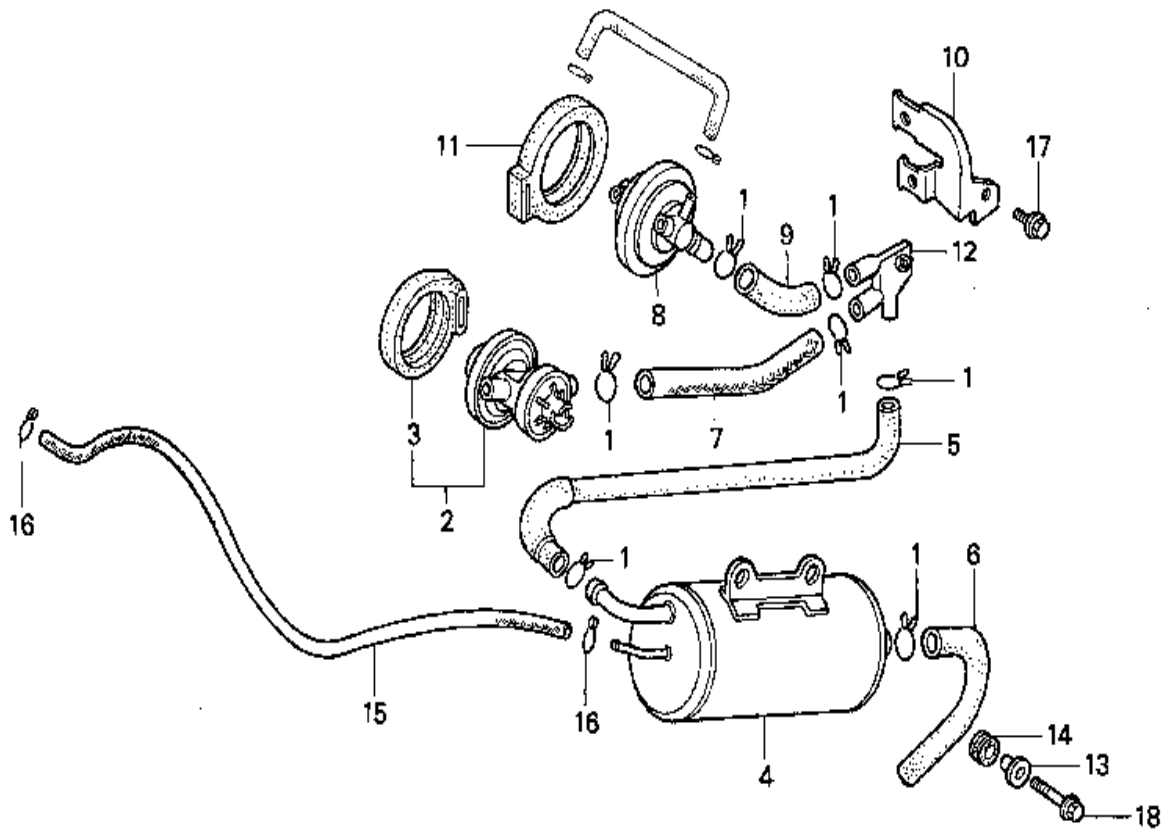


### BATTERY

img#	Quantity	Part
1	1	31500HA0685 (31500-HA0-725) BATTERY,YTX12-BS Note: this part is superseded by 31500HA0686.
1	1	31500HA0686 (31500-HA0-687) BATTERY (YUASA) ( Note: this part is superseded by 31500HA0687.
1	1	31500HF1677 (31500-HA0-725) BATTERY YTX12-BS Note: this part is superseded by 31500HA0725.
1	1	31500HF1678 (31500-HA0-725) BATTERY YTX12-BS Note: this part is superseded by 31500HA0725.
2	1	32401MR5000 CABLE,START BAT.
3	1	32403MR5000 COVER,BATTERY TER
4	1	35850MR5007 SW ASSY,START.MAG
5	1	35856MR5000 RUBBER SHOCK
6	1	35860MR5000 SET,START MAG
7	1	50325MR5000 HOLDER,BATTRY
8	2	90111MR5000 BOLT,SOCKET,5X9
9	1	90620SB2003 (90620-KRF-T00) BAND,WIRE HARN Note: this part is superseded by 90620KRFT00.
10	1	90659MR5000 CLIP,HARNESS
11	1	9501161000 RUBBER A,STAND
12	1	9501163000 STOPPER RUBBER C

13	1	957010601008 BOLT,FLANGE,6X10
14	2	9820033000 BLADE FUSE 30A

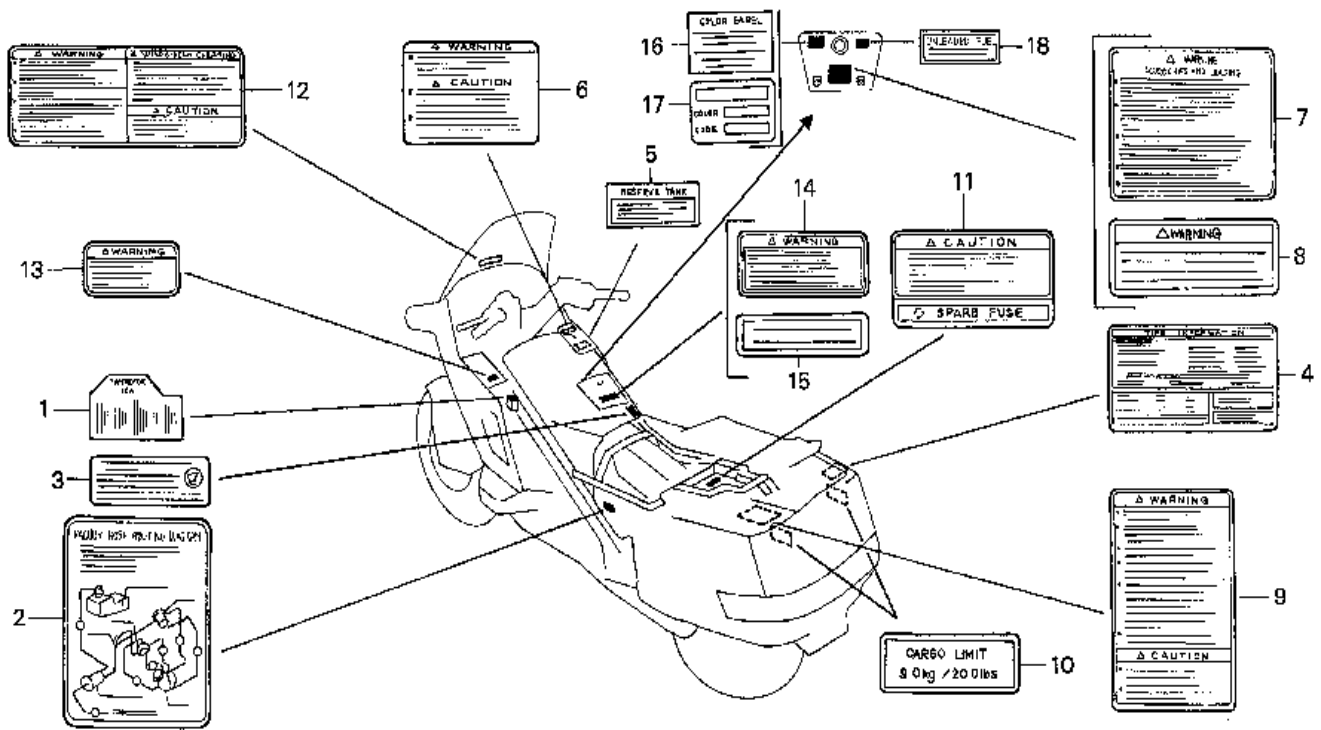
FR. →



**CANISTER AC**

img#	Quantity	Part
1	7	15772500010 CIR CLIP
1	7	15772500013 (15772-500-010) CIR CLIP Note: this part is superseded by 15772500010.
2	1	17300MR5790 VALVE ASSY.,AIR V
3	1	17305MJ4771 RUBBER,MOUNT
4	Not Available	17410MR5791 (17410-MR5-792) CANISTER Note: this part is superseded by 17410MR5792.
4	Not Available	17410MR5792 CANISTER
5	Not Available	17411MR5790 TUBE
6	Not Available	17419MR5790 TUBE
7	Not Available	17431MR5790 TUBE

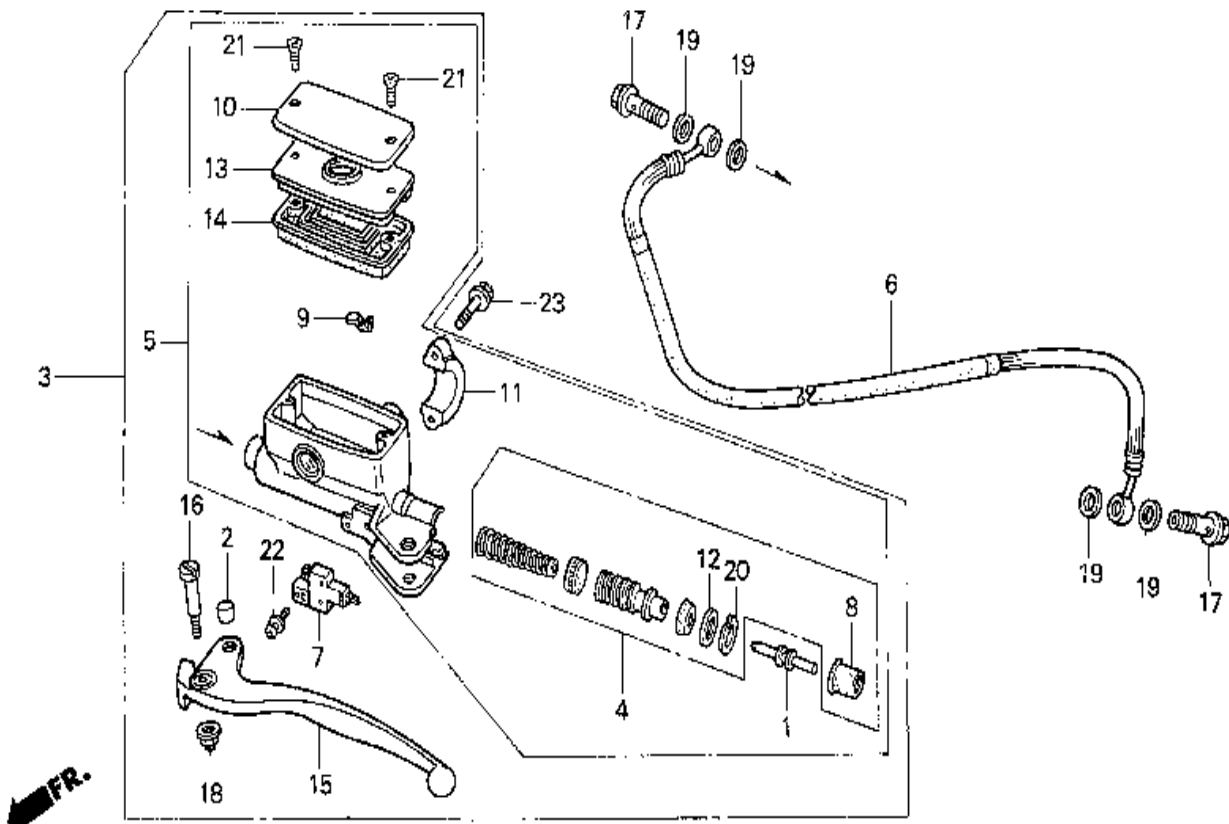
8	Not Available	17440MR5790 VALVE
9	Not Available	17441MR5790 TUBE (THREE-WAY)
10	1	17445MR5790 STAY (P.C.V.& A.V
11	1	17451ME5760 RUB,PCV MT
12	Not Available	17468MR5790 JOINT (THREE-WAY)
13	2	61104422000 COLLAR,SETTING
14	2	61304415000 RUBB,LIGHT MOUNT
15	1	950014500320M (95001-450-0350M) BULK HOSE Note: this part is superseded by 950014500350M.
16	2	9500202080 CLIP B8,TUBE
17	1	957010601200 BOLT FLANG 6X12
18	2	957010602208 BOLT,FLANGE,6X22



### CAUTION LABEL

img#	Quantity	Part
1	1	38215MR5870 LABEL,FUSE
2	Not Available	87135MR5890 DIAGRAM
4	Not Available	87505MR5670 LABEL, TIRE
5	1	87507MB4670 LABEL,RESERV TANK
6	1	87508MT2300 LABEL,RADIATOR
7	1	87512MR5670 LABEL,ACCESSORIES
9	1	87520MR5300 LABEL,TRUNK
11	1	87521MR5300 LABEL,TRUNK DUMPE
12	1	87522MT2300 LABEL,WINDSHIELD
13	1	87524MR5300 LABEL,POCKET
14	1	87560MT2300ZB LABEL,DRIV*TYPET*
17	1	87565MR5870ZC LABEL,COLO*TYPE3*

18	1	87586MR6670ZC (87586-MR6-670ZF) LABEL,FUEL *NH1* Note: this part is superseded by 87586MR6670ZF.
18	1	87586MR6670ZF LABEL,FUEL*TYPEB*



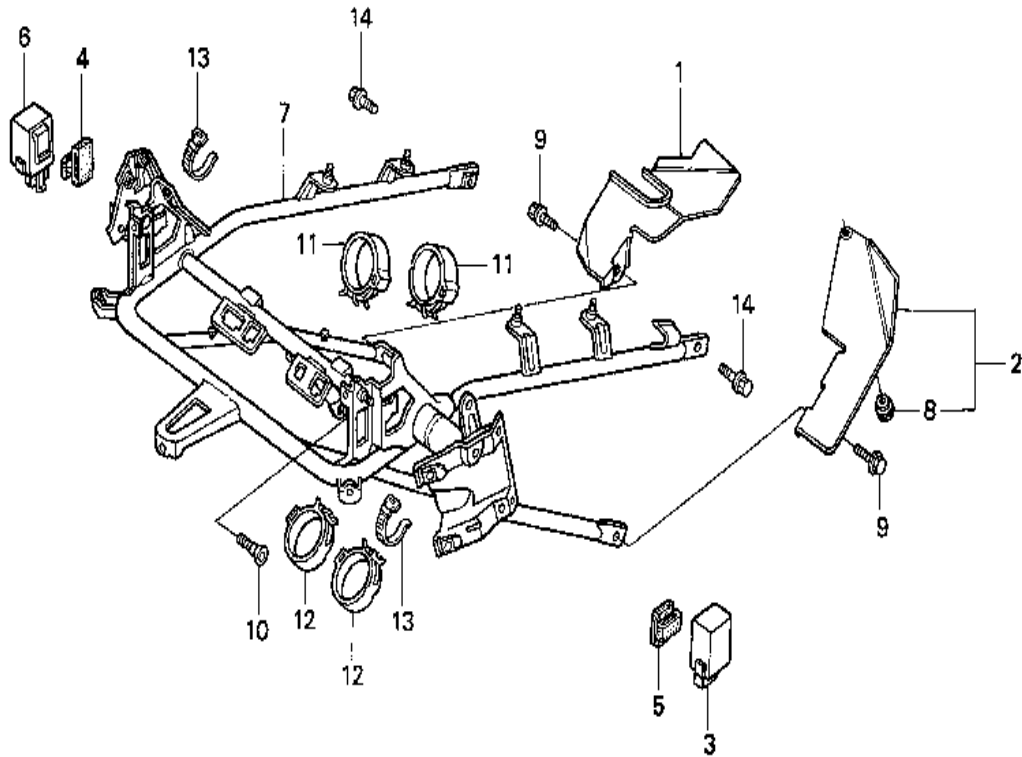
### CLUTCH MASTER CYLINDER

img#	Quantity	Part
1	1	22884MB0006 ROD,PUSH
2	1	22885MB0006 BUSH
3	1	22885MR5305 M/C SET,CLUTCH
4	1	22886MB0305 PISTON SET,CLUTCH
6	1	22900MR5000 HOSE COMP.,CLUTCH
7	1	35330MB0003 SW.ASSY.,CLUTCH
8	1	45504410003 BOOT COMP.
9	1	45512MA6006 PROTECTOR
10	1	45513MM5006 (45513-MM5-016) CAP Note: this part is superseded by 45513MM5016.
10	1	45513MM5016 CAP,M/C.

11	1	45517166006 HOLD,MAS.CYLINDER
12	1	45518MB0006 PLATE,STOPPER
13	1	45518MM5006 PLATE,DIAPHRAGM
14	1	45520MM5006 DIAPHRAGM
15	1	53178KE8006 LEVER,L.HANDLE
15	1	53178KM3006 (53178-KE8-006) LEVER,L.HANDLE Note: this part is superseded by 53178KE8006.
16	1	90114MA5671 BOLT,HNDL PIVOT
17	2	90145MS9611 (90145-MS9-612) BOLT,OIL,10X22 Note: this part is superseded by 90145MS9612.
17	2	90145MS9612 OIL BOLT,10X22
18	1	90201428900 NUT,CAP,6MM
18	1	90215GM0000 (90201-428-900) NUT,CAP 6MM Note: this part is superseded by 90201428900.
19	4	90545300000 WASHER,OIL BOLT
20	1	90651377003 CIR CLIP,INTERNAL
21	2	93600040120G SCREW,FLAT,4X12
21	2	93600040121G (93600-040-120G) SCREW,FLAT,4X12 Note: this part is superseded by 93600040120G.
22	1	938930401207 SCREW-WASH,4X12
22	1	938930401217 (93893-040-1207) SCREW-WASHER,4X12 Note: this part is superseded by 938930401207.
23	2	960010602207 BOLT,FLANGE,6X22







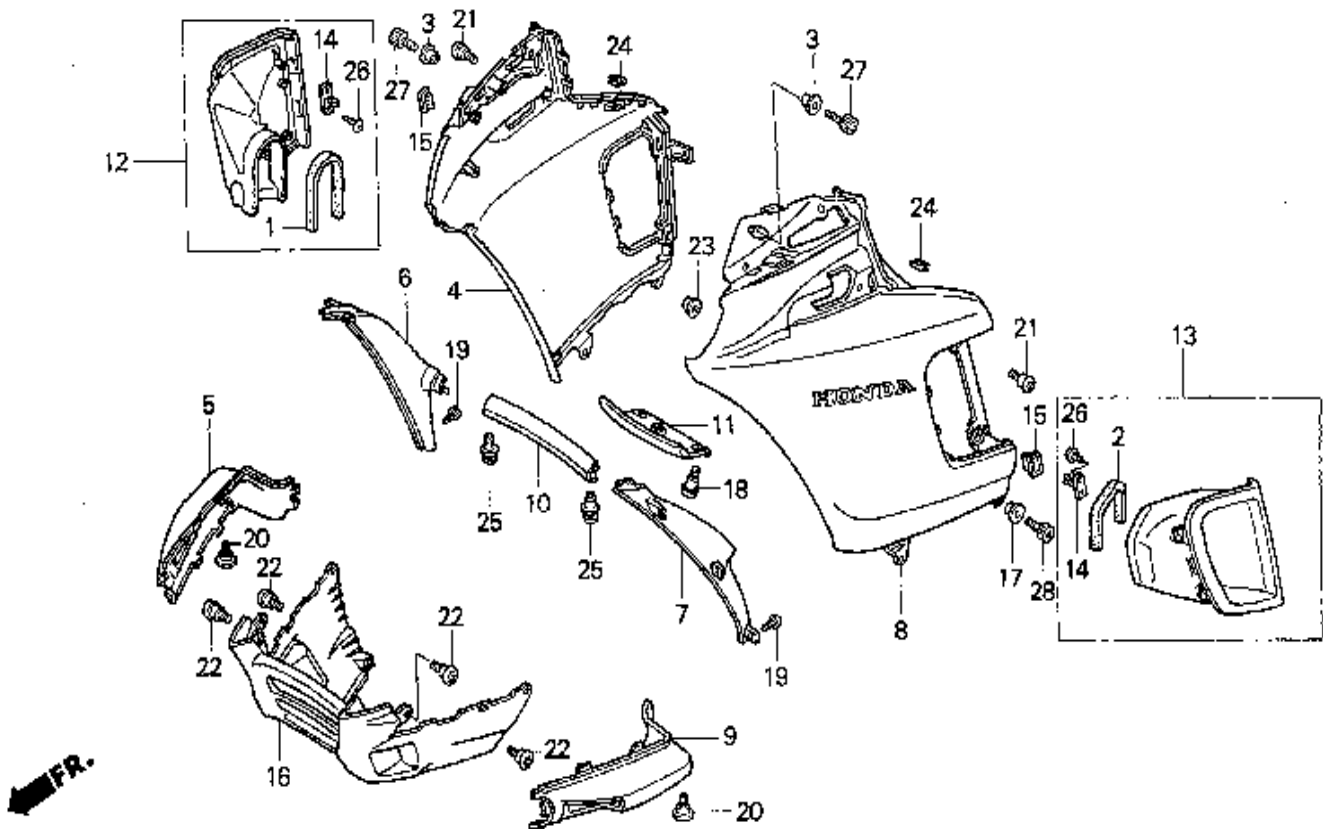
### COWL STAY

img#	Quantity	Part
1	1	19633MR5000 PLATE,R.AIR GUARD
2	1	19634MR5000 PLATE,L.AIR GUARD
3	1	38301MF8771 RELAY COMP,WINKER
4	1	38306ME9771 (38306-ME9-772) SUSPENSION,RELAY Note: this part is superseded by 38306ME9772.
5	1	38306MF5770 SUSPENSION,WINKER
6	1	38601MB3671 RELAY,POSITION
7	1	64510MR5000 STAY COMP COWL
8	1	84702MF2670 RUB.,NO.BRKT.CUSH
9	2	90118958003 BOLT,FLANGE,6X12
10	1	90125MR5000 SCREW,FLAT(SOCICE
11	2	90690GHB661 CLIP,CABLE,20MM
12	2	90690GHB671 CLIP,CABLE,25MM

14	2	957010801608 BOLT,FLANGE.8X16
----	---	----------------------------------





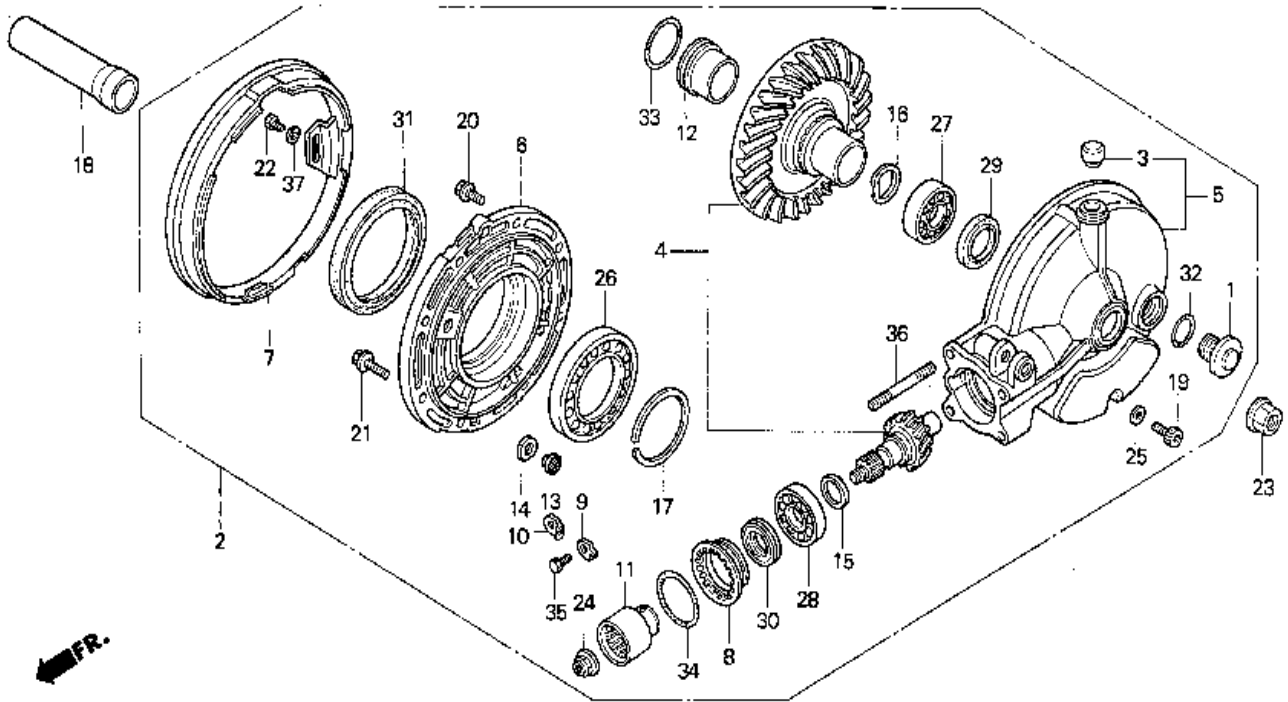


**FAIRING**

img#	Quantity	Part
1	1	19023MR5300 SEAL SHROUD
2	Not Available	19024MR5300 RUBBER, L. AIR DUCT
3	2	61105KM7910 COLLAR,FR.FENDER
4	1	64204MR5870ZB (64204-MR5-870ZG) COW*R101CU/TYPE3*
		Note: this part is superseded by 64204MR5870ZG.
4	1	64204MR5870ZG COWL SET,R*TYPE3*
5	1	64205MR5000ZC (64205-MR5-000ZE) PROTECTOR,*TYPE3*
		Note: this part is superseded by 64205MR5000ZE.
5	1	64205MR5000ZE PROTECTOR*NH292M*
6	1	64211MR5000ZC PANEL,R.I*R101CU*
7	1	64212MR5000ZC PANEL,L.I*R101CU*

8	1	64214MR5870ZB (64214-MR5-870ZG) COW*R101CU/TYPE3* Note: this part is superseded by 64214MR5870ZG.
8	1	64214MR5870ZG COWL SET,L*TYPE3*
9	1	64215MR5000ZC (64215-MR5-000ZE) PROTECTOR,*TYPE3* Note: this part is superseded by 64215MR5000ZE.
9	1	64215MR5000ZE PROTECTOR*NH292M*
10	Not Available	64217MR5000ZC PANEL,FR.*R101CU*
11	1	64218MR5000ZC LID,FR.MA*R101CU*
12	1	64280MR5010ZC LID ASSY.*R101CU*
13	1	64290MR5010ZC LID ASSY.*R101CU*
14	4	64296MR5871 STRIKER,MAINTENAN
15	4	64297MR5003 LATCH,MAINTENANCE
16	1	64300MR5000ZC (64300-MR5-000ZE) COWL,FR.LO*TYPE3* Note: this part is superseded by 64300MR5000ZE.
16	1	64300MR5000ZE COWL,FR L*NH292M*
17	2	80109KG7000 COLLAR,AIR/C
18	3	90101GK0000 SCREW,PAN,5X10
19	6	90101SA4000 (93913-142-80) SCREW.TAPPING (PO)4X Note: this part is superseded by 9391314280.
19	6	9391314280 SCREW,TAPPING,(PO)4X
20	2	90106KY2701 SCREW,PAN,6X11
21	2	90106MM4000 SCREW,PAN,6X14
22	4	90113MM5000 SCREW,PAN,6X14
23	4	90315MJ1000 NUT,INSERT M4X0.7
24	2	90320GC3000 NUT,SPRING,M5

25	2	90658KM1003 RIVET,SCREW
26	8	9390322120 SCREW,TAPPING 3X8
27	2	966000601608 BOLT,SOCKET 6X16
27	2	967000601608 (96600-060-1608) BOLT SOCKET,6X16 Note: this part is superseded by 966000601608.
28	2	966000601608 BOLT,SOCKET 6X16
28	2	967000601608 (96600-060-1608) BOLT SOCKET,6X16 Note: this part is superseded by 966000601608.



### FINAL DRIVEN GEAR

img#	Quantity	Part
1	1	12361035000 (12361-300-000) CAP, TAPPET Note: this part is superseded by 12361300000. alternative product available
1	1	12361300000 CAP TAPPET HOLE
1	1	12361371980 (12361-300-000) CAP,ADJG.HOLE Note: this part is superseded by 12361300000.
2	Not Available	41300MR5000 GEAR ASSY., FINAL
3	1	41306MB0010 (41306-MB0-020) CAP,BREATHER Note: this part is superseded by 41306MB0020.
3	1	41306MB0020 CAP,BREATHER
4	1	41310MB0305 GEAR SET,FINAL
5	1	41311MR5305 CASE SET,FINAL
6	1	41321ME5770 (41321-ME5-771) COVER,GEAR CASE Note: this part is superseded by 41321ME5771.
7	1	41324MR5000 PLATE,DUST GUARD

8	1	41331ME9010 RETAINER,BEARING
9	1	41332415000 LOCK A BEARING AD
10	1	41333415000 LOCK B BEARING AD
11	1	41410ME9770 JOINT,PINION
12	1	41433MB0010 HOLDER,O-RING
13	1	41436MB0310 PIN,RING STOPPER
14	1	41437MB0310 SHIM A,STOP,PIN
14	1	41438MB0310 SHIM B,STOP.PIN
15	1	41450MG8000 SHIM A,PINION GEA
15	1	41451MG8000 SHIM B,PINION GEA
15	1	41452MG8000 SHIM C,PINION GEA
15	1	41453MG8000 SHIM D,PINION GEA
15	1	41454MG8000 SHIM E,PINION GEA
15	1	41455MG8000 SHIM F,PINION GEA
15	1	41456MG8000 SHIM G,PINION GEA
16	1	41510MB0003 WASHER,SPECIAL,
17	1	41530MB0000 SPACER.A.RINGGEAR
17	1	41531MB0000 SPACER B.RINGGEAR
17	1	41532MB0000 SPACER C,RINGGEAR
17	1	41533MB0000 SPACER.D,RINGGEAR
17	1	41534MB0000 SPACER.E,RINGGEAR
17	1	41535MB0000 SPACER.F.RINGGEAR
17	1	41536MB0000 SPACER.G.RINGGEAR

17	1	41537MB0000 SPACER,H.RINGGEAR
17	1	41538MB0000 SPACER,I,RINGGEAR
18	1	42625MR5000 COLLAR B,RR DIST
19	1	90109ME5770 BOLT,SOCKET,8X11
20	6	90133MB0000 BOLT,FLANGE,8X27
21	2	90134HA0000 BOLT,FLANG 10X35
22	1	90170MB0000 BOLT,HEX.,6X16
23	1	90305MB4003 NUT,FLANGE,18MM
24	1	90381MB0010 NUT,HEX.,16MM
25	1	90471580000 PACKING 8MM
26	1	91051MB0005 B/BRG RAD N/COM
26	1	91051MG8005 (91051-MB0-005) B/BRG RAD N/COM Note: this part is superseded by 91051MB0005.
27	1	91052MB0003 B/BRG RAD N/COM
27	1	91052MG8005 (91052-MB0-003) B/BRG RAD N/COM Note: this part is superseded by 91052MB0003.
28	1	91061MR5003 (91061-MB0-005) BEARING,RADIAL BA Note: this part is superseded by 91061MG8005.
28	1	91061MB0005 B/BRG RAD N/COM
28	1	91061MG8005 (91061-MB0-005) B/BRG RAD N/COM Note: this part is superseded by 91061MB0005.
29	1	91261MB0005 (91261-MB0-003) OILSEAL,34X50X7 Note: this part is superseded by 91261MB0003.
29	1	91261MB0003 OIL SEAL,34X50X8
30	1	91262ME9003 (91262-ME9-005) OIL SEAL,39X51X7 Note: this part is superseded by 91262ME9005.
30	1	91262ME9005 OIL SEAL,39X51X7

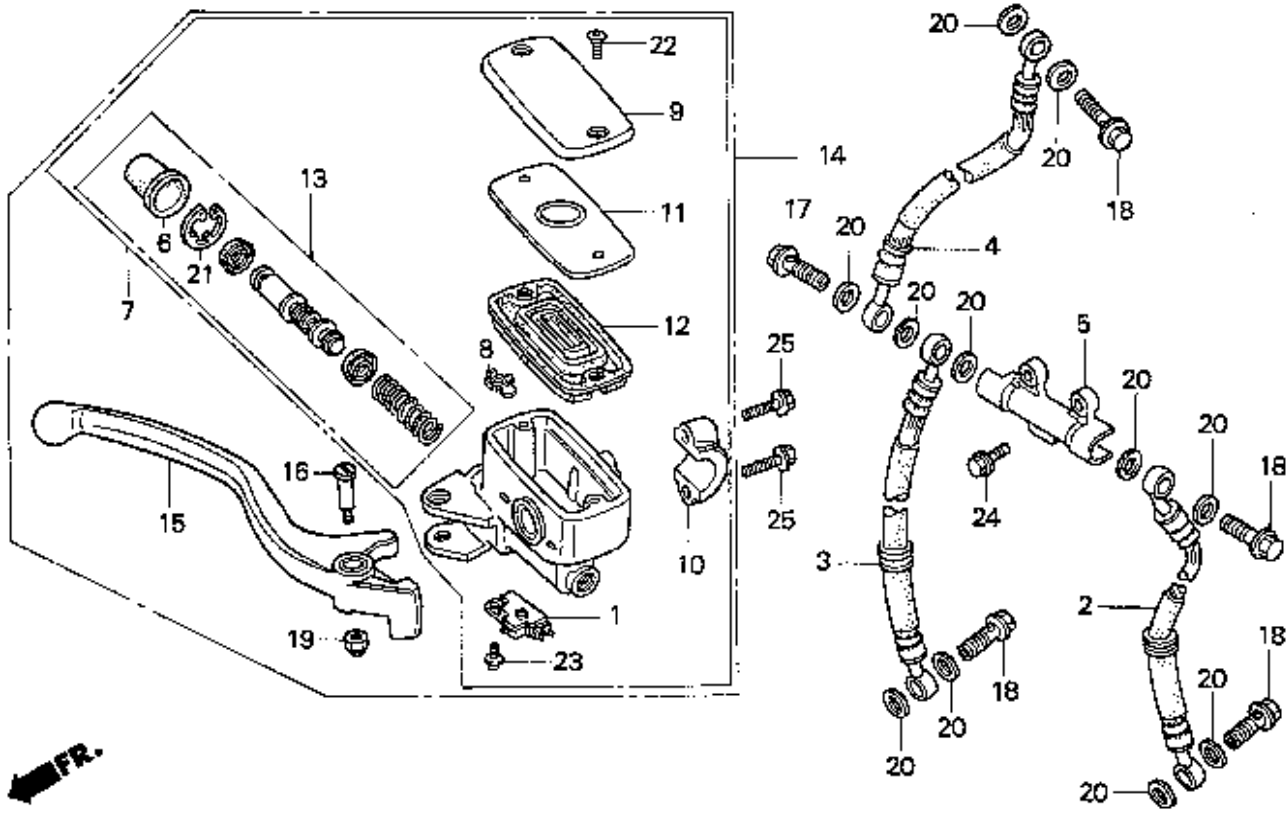
31	1	91265MB0000 (91265-MB0-003) OIL SEAL,60X80X8 Note: this part is superseded by 91265MB0003.
31	1	91265MB0003 OIL SEAL.60X80X8
32	1	91302001020 O RING, 30.8M/M
33	1	91356MB0000 (91356-MB0-005) O-RING,35.5X2.4 Note: this part is superseded by 91356MB0005.
33	1	91356MB0005 O-RING,35.2X2.4
34	1	91359MB0000 O-RING,58.5X3.5
35	1	9200006012 (92101-060-120A) BOLT,HEX 6X12 Note: this part is superseded by 9210106012.
35	1	92000060120A (92101-060-120A) BOLT,HEX 6X12 Note: this part is superseded by 9200006012.
35	1	9210006012 (92101-060-120A) BOLT,HEX 6X12 Note: this part is superseded by 9200006012.
35	1	9210106012 (92101-060-120A) BOLT,HEX.,6X12 Note: this part is superseded by 92101060120A.
35	1	92101060120A BOLT,HEX.,6X12
36	4	92700100500E BOLT.STUD,10X50
37	1	9410106800 WASHER,PLAIN,6MM









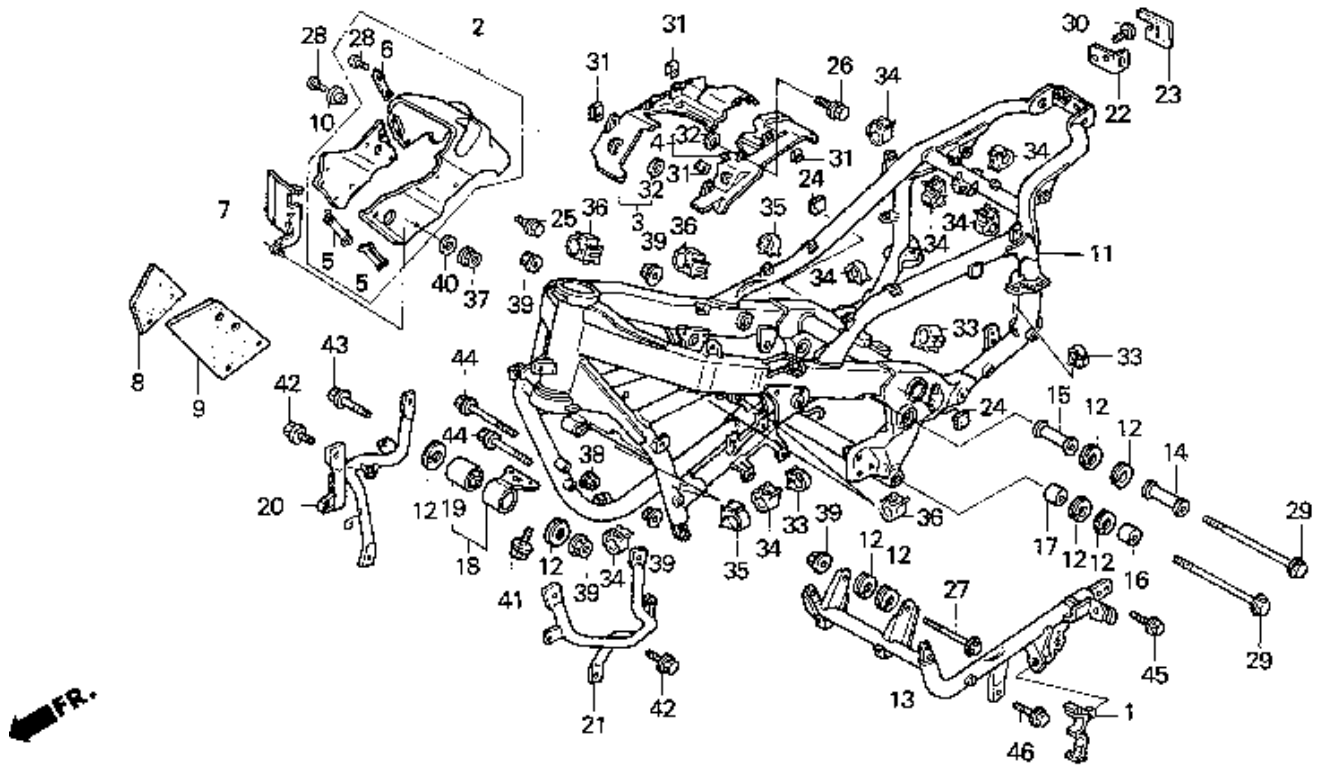


**FRONT BRAKE MASTER CYLINDER**

img#	Quantity	Part
1	1	35340MM5600 SW ASSY,FR STOP
2	1	45124MR5003 (45124-MR5-013) HOSE,FRONT BRK L Note: this part is superseded by 45124MR5013.
2	1	45124MR5013 HOSE,FRONT BRK L
3	1	45125MR5003 (45125-MR5-013) HOSE,FRONT BRK R Note: this part is superseded by 45125MR5013.
3	1	45125MR5013 HOSE,FRONT BRK R
4	1	45126MR5003 (45126-MR5-013) HOSE B,FR BRK Note: this part is superseded by 45126MR5013.
4	1	45126MR5013 HOSE B,FR BRK
5	1	45127MA1003 JOINT,TWO WAY
6	1	45504410003 BOOT COMP.

8	1	45512MA6006 PROTECTOR
9	1	45513MM5006 (45513-MM5-016) CAP Note: this part is superseded by 45513MM5016.
9	1	45513MM5016 CAP,M/C.
10	1	45517166006 HOLD,MAS.CYLINDER
11	1	45518MM5006 PLATE,DIAPHRAGM
12	1	45520MM5006 DIAPHRAGM
13	1	45530MA4671 CYLIN.SET,MASTER
14	Not Available	45550MR5305 MASTER CYLINDER SET
15	1	53175MJ6006 LEVER,R.HANDLE
15	1	53175MR5003 (53175-MJ6-006) LEVER COMP,R HNDL Note: this part is superseded by 53175MJ6006.
16	1	90114MA5671 BOLT,HNDL PIVOT
17	1	90145MB0010 (90145-MB0-020) OIL BOLT,10X34 Note: this part is superseded by 90145MB0020.
18	4	90145MS9611 (90145-MS9-612) BOLT,OIL,10X22 Note: this part is superseded by 90145MS9612.
18	4	90145MS9612 OIL BOLT,10X22
19	1	90201428900 NUT,CAP,6MM
19	1	90215GM0000 (90201-428-900) NUT,CAP 6MM Note: this part is superseded by 90201428900.
20	11	90545300000 WASHER,OIL BOLT
21	1	90651MA5671 CIRCLIP
22	2	93600040120G SCREW,FLAT,4X12
22	2	93600040121G (93600-040-120G) SCREW,FLAT,4X12 Note: this part is superseded by 93600040120G.

23	1	938930401208 WASHER,SCREW 4X12
23	1	938930401218 (93893-040-1208) SCREW WASH.,4X12 Note: this part is superseded by 938930401208.
24	2	957010602007 BOLT,FLANGE,6X20
25	2	960010602207 BOLT,FLANGE,6X22



**FRAME**

img#	Quantity	Part
1	Not Available	17404PD6003 CLAMP, BYPASS HOSE
2	1	19601MR5000 COVER,ENGINE HEAT
3	1	19602MR5000 PLATE R ENG HEAT
4	1	19603MR5000 PLATE,L.ENGINE HE
5	Not Available	19612MR5000 PATCH
6	Not Available	19613MR5000 PATCH
7	Not Available	19616MR5000 PLATE, AIR GUIDE
8	Not Available	19631MR5000 RUB, R. WIND GUARD
9	Not Available	19632MR5000 RUB, L. WIND GUARD

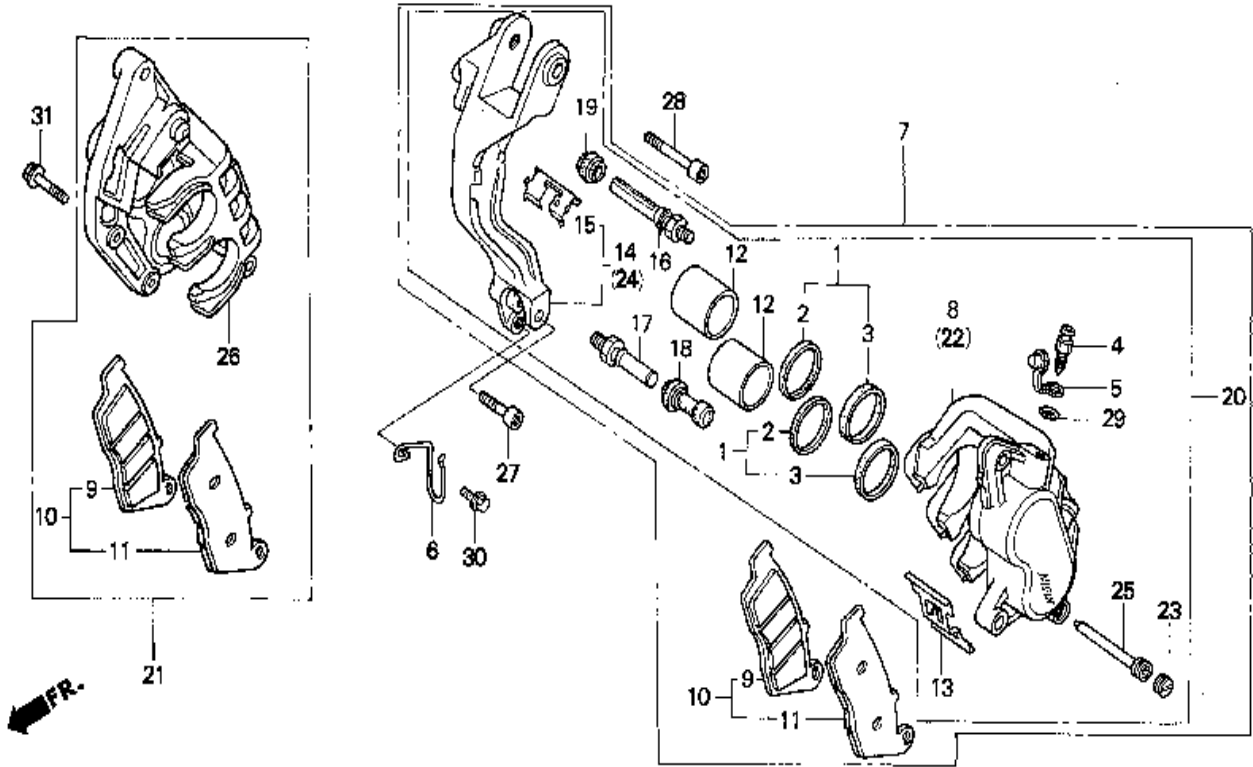
10	1	33613KG1610 COLLAR,WINKER SET
11	1	50100MR5870 (50100MR5871) BODY COMP.,FRAME Note: this part is superseded by 50100MR5871.
11	Not Available	50100MR5890 FRAME
12	8	50201KE5000 RUBBER,THRUST MT.
13	1	50210MR5000 SUB FRAME COMP
14	1	50251MR5000 COLLAR,ENG.MT.A
15	1	50252MR5000 COLLAR,ENG.MT.B
16	1	50253MR5000 COLLAR,ENG.MT.C
17	1	50257MR5000 COLLAR,ENGINE MOU
18	1	50258MR5870 BRACKET COMP.,ENG
19	1	50260MR5000 RUBBER (E),ENGINE
20	1	64206MR5000 BUMPER,R FRONT
20	1	64206MR5790 BUMPER,R.FR.
21	1	64216MR5000 BUMPER,L FRONT
22	1	74813MR5000 STRIKER,TAILGATE
23	Not Available	81363MR5000 RUBBER G, SEAL
24	2	83523MR5870 RUBBER,LWR COVER
25	3	90003GC3000 BOLT,RR.FENDER
26	4	90029888000 BOLT, FLANGE,6X16
27	1	90103GA6000 (90103-MY1-000) BOLT,ENG,HANGER Note: this part is superseded by 90103MY1000.
28	3	90109SB6000 SCREW TRUSS 5X16
29	2	90153MR5000 BOLT,ENG.HANG.10X

30	2	90157MN8000 BOLT, SOCKET, 10X22
31	4	90320GC3000 NUT, SPRING, M5
32	4	90522028000 WASHER, CHAIN CASE
33	3	90690GHB641 CLIP, CABLE, 10MM
34	8	90690GHB651 CLIP, CABLE, 15MM
35	3	90690GHB661 CLIP, CABLE, 20MM
36	4	90690GHB651 CLIP, CABLE, 15MM
37	1	9407105080 NUT, FLANGE, 5MM
38	1	9405008080 NUT, FLANGE, 8MM
39	1	9405010080 NUT, FLANGE, 10MM
39	5	9405010080 NUT, FLANGE, 10MM
41	2	957010801608 BOLT, FLANGE, 8X16
42	6	957010801808 BOLT, FLANGE, 8X18
43	1	957011005508 BOLT, FLANGE, 10X55
44	2	958010808008 BOLT, FLANGE, 8X80
45	2	958011002508 (95701-100-2508) BOLT, FLANGE 10X25 Note: this part is superseded by 957011002508.
45	2	957011002508 BOLT, FLANGE, 10X25
46	2	958011004008 BOLT, FLANGE, 10X40





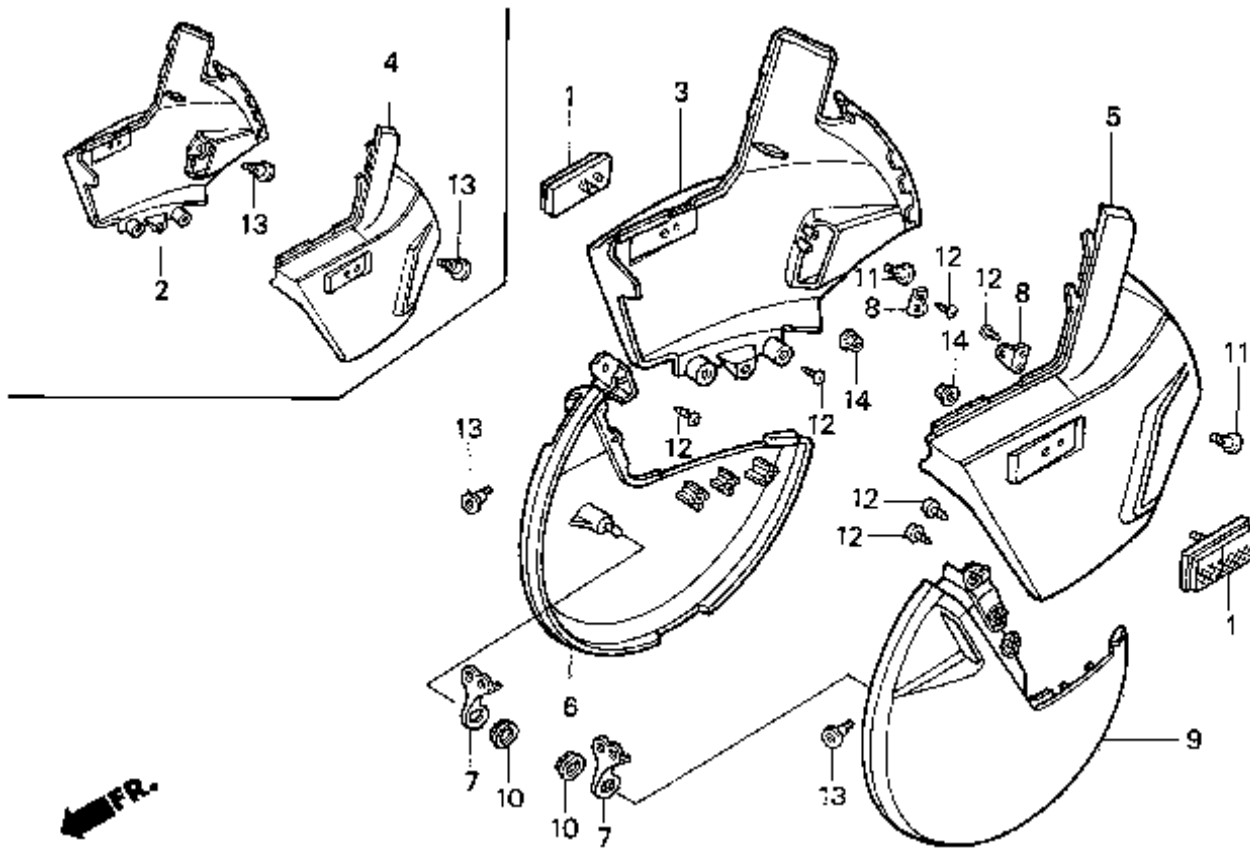




### FRONT BRAKE CALIPER

img#	Quantity	Part
0	2	451A0MR5670 (45105-ML7-405) SET BRAKE PAD Note: this part is superseded by 45105ML7405.
0	2	45105ML7405 PAD SET,FR BRAKE
2	4	43109MA3006 DUST SEAL
3	4	43209MA3006 SEAL,PISTON
4	2	43352MG9006 SCREW,BLEEDER
5	2	43353MG9006 (43353-461-771) CAP,BLEEDER Note: this part is superseded by 43353461771.
5	2	43353443761 (43353-461-771) CAP, BLEEDER SCREW Note: this part is superseded by 43353461771.
5	2	43353461771 CAP,BLEEDER
6	Not Available	44832MR5000 CLAMP
7	1	45100MR5871 CALIPER ASSY.,L.F

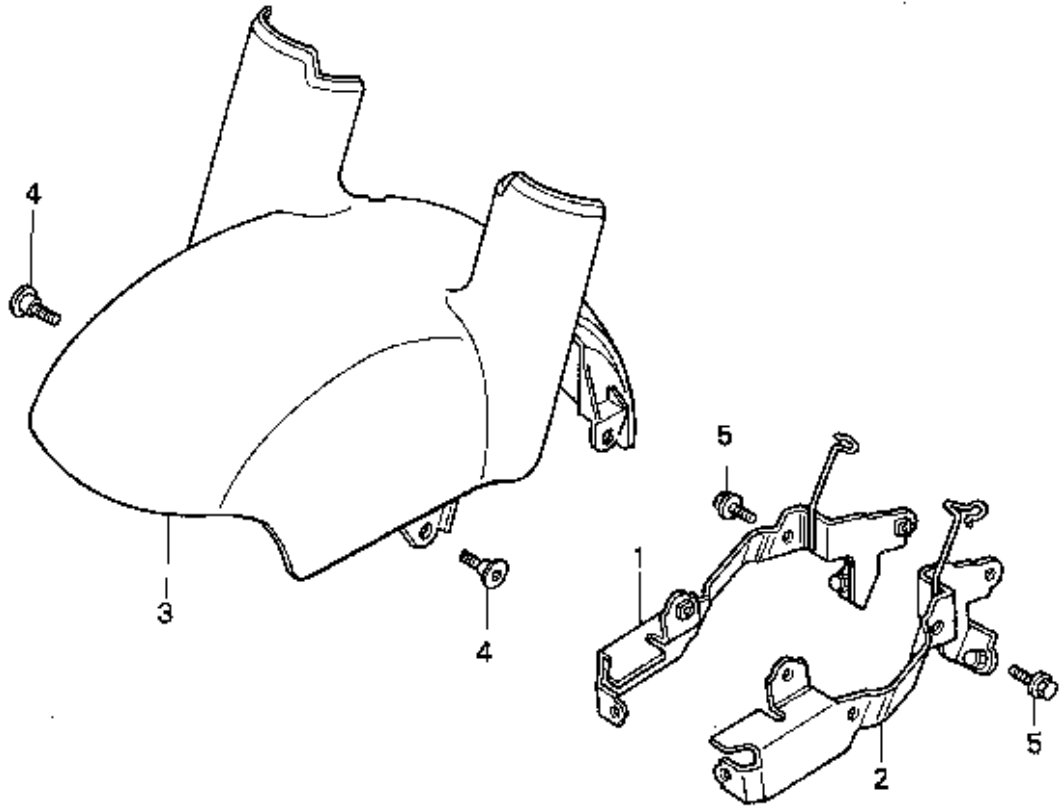
8	1	45101MR5006 CALIPER BODY.,R.F
9	2	45105ML7922 (45105-MV4-008) PAD COMP.A,FR. Note: this part is superseded by 45105MV4008.
11	2	45106ML7922 PAD COMP.B,FR.
12	4	45107ML4006 PISTON
13	2	45108ML7921 (45108-ML7-922) SPRING,PAD (NISSI Note: this part is superseded by 45108ML7922.
13	2	45108ML7922 SPRING,PAD (NISSI
14	1	45110MR5006 BRACKET COMP.,L.F
15	2	45112ML7921 RETAINER,BRKT
16	2	45131ML7921 BOLT A,PIN (NISSI
17	2	45131166016 PIN,BOLT
18	2	45132166016 BUSH,PIN
19	2	45133MA3006 BOOT B
21	1	45200MR5871 CALIPER ASSY.,R.F
22	Not Available	45201MR5006 CALIPER BODY,L.FR
23	2	45203MG3016 PLUG,PIN
24	1	45210MR5006 BRACKET COMP.,R.F
25	2	45215ML7922 PIN,HANGER
27	1	90105MJ1000 BOLT SOCKET 6X24
28	1	90131ML7000 BOLT,SOCKET,8X36
29	2	91355MG9006 O-RING
30	1	957010601207 BOLT,FLANGE,6X12
31	2	964000803207 BOLT,FLANGE,DR.8X



### FRONT DISK COVER

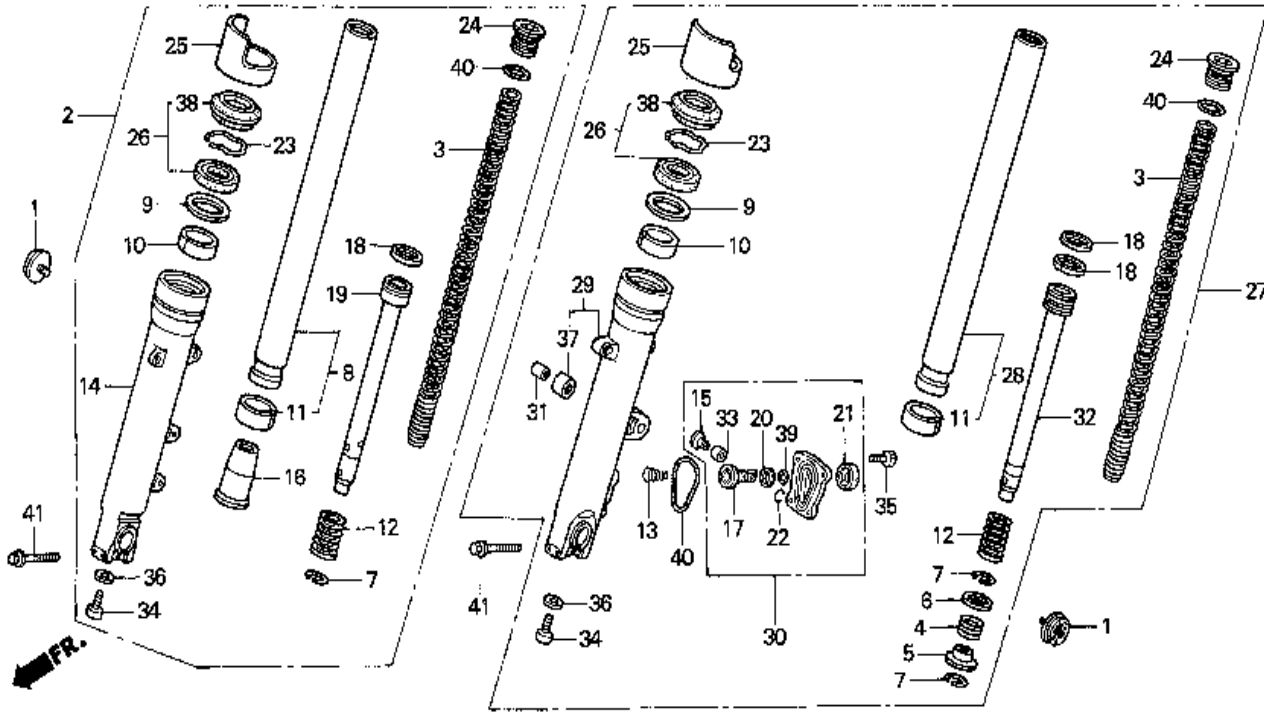
img#	Quantity	Part
1	2	33741ME9672 (33741-ME9-673) REFL,FR.REFLEX Note: this part is superseded by 33741ME9673.
1	2	33741ME9673 REFLEX REFL.FR.
3	1	45120MR5010ZC COVER,R.F*R101CU*
5	1	45130MR5010ZC COVER,L.F*R101CU*
6	1	45255MR5000ZC (45255-MR5-000ZE) COVER,R.FR*TYPE3* Note: this part is superseded by 45255MR5000ZE.
6	1	45255MR5000ZE COVER,R F*NH292M*
7	2	45258MR5000 STAY,FR DISK COVE
8	2	45259MR5870 STAY,DISK COVER
9	1	45355MR5000ZC (45355-MR5-000ZE) COVER,L.FR*TYPE3* Note: this part is superseded by 45355MR5000ZE.

9	1	45355MR5000ZE COVER,L F*NH292M*
10	2	83551300000 CASE,GROMET
11	2	90003HA0003 BOLT,SOCKET,6X12
12	16	90101SA4000 (93913-142-80) SCREW.TAPPING (PO)4X Note: this part is superseded by 9391314280.
12	16	9391314280 SCREW,TAPPING,(PO)4X
13	2	90106MM4000 SCREW,PAN,6X14
14	2	9405005080 NUT,FLANGE,5MM



**FRONT FENDER**

img#	Quantity	Part
1	1	61101MR5000 STAY,R.FR.FENDER
2	1	61102MR5000 STAY,L FR FENDER
3	1	61105MR5000ZC FENDER A,*R101CU*
4	4	90106MM4000 SCREW,PAN,6X14
5	4	957010601208 BOLT,FLANGE,6X12

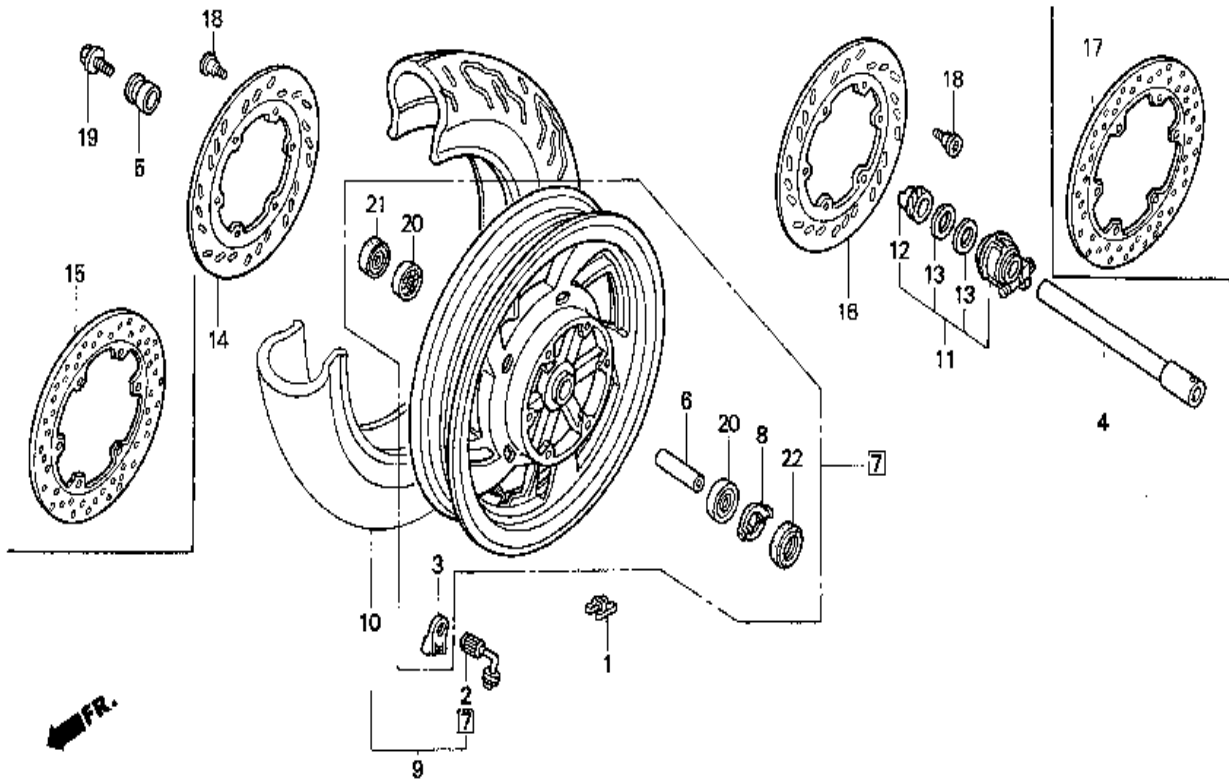


### FRONT FORK

img#	Quantity	Part
2	1	51400MR5003 FORK ASSY,R FR
3	2	51401MR5003 SPRING,FR.FORK (S)
4	1	51402MB7611 SPRING,OIL LOCK
5	1	51403MB7611 VALVE,OIL LOCK
6	1	51404MB7611 SEAT,SPRING
7	3	51405MB7611 RING,STOPPER
8	1	51410MR5003 PIPE COMP.,R.FR.F
9	2	51412MB4003 RING,BACK UP
10	2	51414KCR003 BUSH,GUIDE
10	2	51414MN5003 (51414-KCR-003) BUSH,GUIDE Note: this part is superseded by 51414KCR003.
11	2	51415KCR003 BUSH,SLIDER

11	2	51415MM8003 (51415-KCR-003) BUSH,SLIDER (SHOW Note: this part is superseded by 51415KCR003.
12	2	51416KF0003 SPG,FR.REBOUND
13	1	51418ML7003 SPRING,PISTON
14	1	51421MR5003 CASE COMP.,R.BOTT
15	1	51423MJ0003 COLLAR PISTON
16	1	51432MM5003 PIECE,OIL LOCK (S
17	1	51436ML7003 PISTON COMP
18	3	51437MM5003 RING,PISTON (SHOW
19	1	51440MR5003 PIPE,R.SEAT (SHOW
20	Not Available	51441ML7003 RUBBER,STOPPER
21	1	51442MJ0003 BOOT,PISTON CASE
22	1	51445MJ0003 RING,STOPPER
23	2	51447KA4711 RING,OIL STOP.
24	2	51455MN5003 BOLT,FR FORK
26	2	51490MN8305 SEAL SET,FR.FORK
27	1	51500MR5003 (51500-MR5-013) FORK ASSY,L FR Note: this part is superseded by 51500MR5013.
27	1	51500MR5013 FORK ASSY,L FR
28	1	51510MR5003 PIPE COMP.,L.FR.F
29	1	51521MR5003 CASE COMP.,L.BOTT
30	1	51530MR5003 (51530-MR5-013) CASE COMP.,PISTON Note: this part is superseded by 51530MR5013.
31	1	51536ML7000 COLLAR,FR CALIPER
32	1	51540MR5003 PIPE,L.SEAT (SHOW

33	1	51545MJ0003 BUSH,RUBBER
34	2	90116KV3701 BOLT,SOCKET 8MM
35	4	90116ML7003 BOLT SOCKET
36	2	90544283000 WASHER,SPL.,8MM
37	1	91071ML7003 NEEDLE BRG
38	2	91254MM8003 SEAL,DUST
39	1	91304ML7003 O-RING
40	3	91356KF0003 O-RING
41	4	964000804508 BOLT,FLANGE,8X45

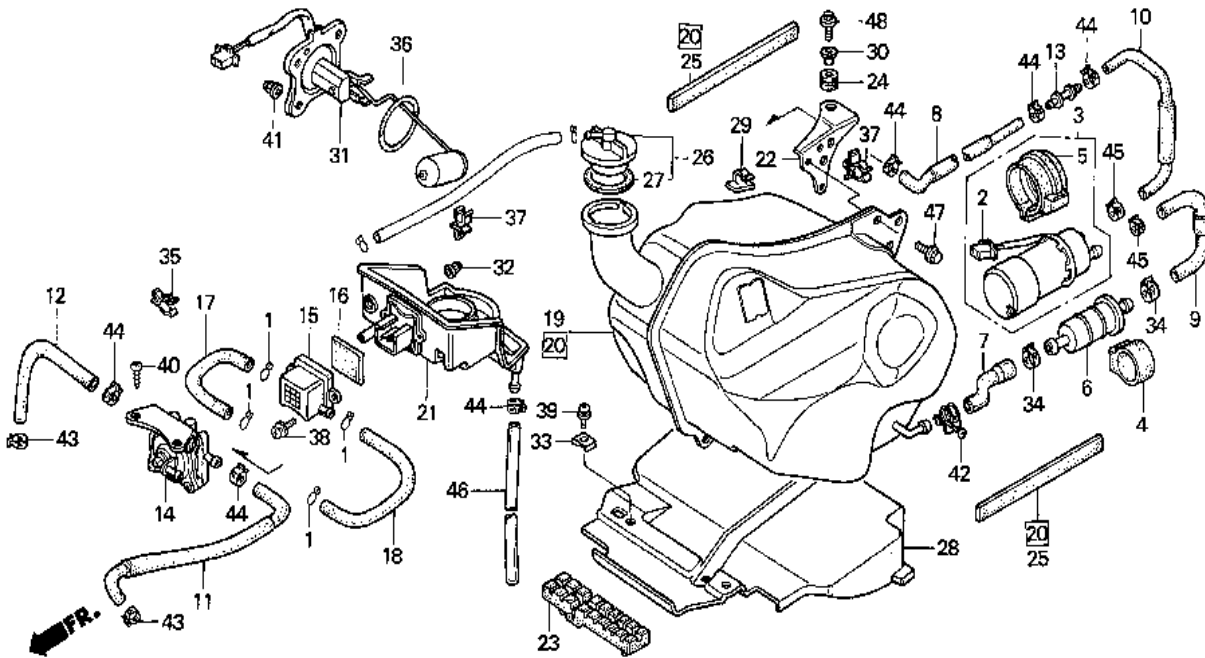


### FRONT WHEEL

img#	Quantity	Part
1	0	42704MB0000 (42704-MCF-D60) WEIGHT,BALAN(10G) Note: this part is superseded by 42704MCFD60.
1	0	42704MCFD60 WEIGHT,BALANCE 10
1	0	42705MB0000 (42705-MCF-D60) WEIGHT,BAL.20G Note: this part is superseded by 42705MCFD60.
1	0	42705MCFD60 WEIGHT,BALANCE 20
1	0	42706MB0000 (42706-MCF-D60) WEIGHT,BAL.30G Note: this part is superseded by 42706MCFD60.
1	0	42706MCFD60 WEIGHT,BALANCE 30
2	1	42753MN5004 VALVE,RIM(DUN)
3	1	42754MN5000 HOLD,RIM VALVE
4	1	44301MR5000 (44301-MR8-900) AXLE,FR.WHEEL Note: this part is superseded by 44301MR8900.

4	1	44301MR8900 AXLE,FR WHEEL
5	1	44311ML7000 (44311-MM8-000) COLLAR,FR WHEEL S Note: this part is superseded by 44311MM8000.
6	1	44620MN5000 (44620-MW5-000) COLLAR,FR.AXLE DI Note: this part is superseded by 44620MW5000.
6	1	44620MW5000 COLLAR,FR AXLE DI
7	1	44650MR5305 WHEEL SET,FR
8	1	44680ML7000 RETAINER,GEAR BOX
9	1	44710MR5004 (44711-MZ5-024) TIRE ASSY,FR (DUN Note: this part is superseded by 44710MR5871.
9	1	44710MR5005 (44711-MZ5-024) TIRE ASSY.,FR (US Note: this part is superseded by 44711MR5005.
9	1	44711MR5005 (44711-MZ5-024) TIRE Note: this part is superseded by 44711MZ5024.
9	1	44711MZ5014 (44711-MZ5-024) TIRE,FR(DUN) Note: this part is superseded by 44711MZ5024.
9	1	44711MZ5024 TIRE,FR(DUN)
9	1	44710MR5871 (44711-MZ5-024) TIRE ASSY.,FR.(DU Note: this part is superseded by 44711MR5871.
11	1	44800ML7691 GEAR BOX ASSY.,SP
12	1	44806ML7691 GEAR,SPEEDOMETER
13	2	44809ML7003 WASHER,SPEEDOMETE
14	1	45251MR5000 DISK R FR BRAKE
16	1	45351MR5000 DISK L FR BRAKE
18	12	90105KR3000 BOLT,FR.DISK 8X24
19	1	90305ML7000 BOLT FR.AXLE
20	2	91054MAM003 BEARING,BALL RADI

20	2	91054MN8741 (91054-MAM-003) BEARING,RADIAL BA Note: this part is superseded by 91054MAM003.
21	1	91257KA3712 (91257-MAY-003) DUST SEAL 28X42X8 Note: this part is superseded by 91257MAY003.
21	1	91257KA3711 (91257-MAY-003) DUST,SEAL 28X42X8 Note: this part is superseded by 91257MAY003.
21	1	91257MAY003 DUST SEAL,28X42X8
22	1	91258ML7004 (91258-ML7-003) DUST SEAL,45X55X5 Note: this part is superseded by 91258ML7003.
22	1	91258ML7003 DUST SEAL,45X55X5



### FUEL TANK

img#	Quantity	Part	Serial#
1	4	15772292010 CLIP,BRTHR TUBE	
2	1	16710MR5005 FUEL PUMP ASSY	
4	1	16711MF2000 HOLDER,STRAINER	
5	1	16711ML7000 (16711-KAF-305) RUBBER FUEL PUMP Note: this part is superseded by 16711KAF305.	
6	1	16900MG8003 STRN.COMP.,FUEL	
7	1	16951MR5000 TUBE A,FUEL	
8	1	16952MR5000 TUBE B,FUEL	
9	Not Available	16953MR5000 TUBE C FUEL	
10	1	16954MR5000 TUBE D FUEL	
11	1	16961MR5000 TUBE E,FUEL	
12	1	16962MR5000 TUBE F,FUEL	
13	1	16966MR5000 JOINT,FUEL TUBE	

14	1	16970MR5000 COCK ASSY.,FUEL A
15	1	17251MN8000 COVER,SUB AIR CLE
16	1	17252MN8000 FILTER,SUB AIR CL
17	1	17253MR5000 TUBE,R.SUB AIR CL
18	1	17254MR5000 TUBE,L.SUB AIR CL
19	1	17510MR5000 (17510-MR5-870) TANK COMP,FUEL Note: this part is superseded by 17510MR5870.
19	1	17510MR5870 TANK COMP.,FUEL
21	1	17521MR5000 TRAY,FUEL CAP
22	Not Available	17525MR5000 STAY, RR. FUEL TANK
23	1	17555MR5000 RUBBER,FUEL TANK
24	Not Available	17556MR5000 RUB, RR. FUEL TANK
26	1	17670MN5003 CAP COMP.,FUEL FI
26	1	17670MN5741 CAP COMP.,FUEL FI
27	1	17682679013 PACKING,FILLER CA
28	Not Available	19630MR5000 PLATE
29	1	32912MR5000 CLAMPER,TUBE
30	1	37107KN6960 COLLAR,METER STAY
31	1	37800MR5871 FUEL UNIT
32	2	90167SA0980 NUT,FLG CAP,5MM
33	2	90320HB9000 NUT,SPRING,5MM
34	2	90682MR5000 CLAM,13.8 TUBE(D)
35	Not Available	91105MR5870 CLIP, TUBE (14MM)

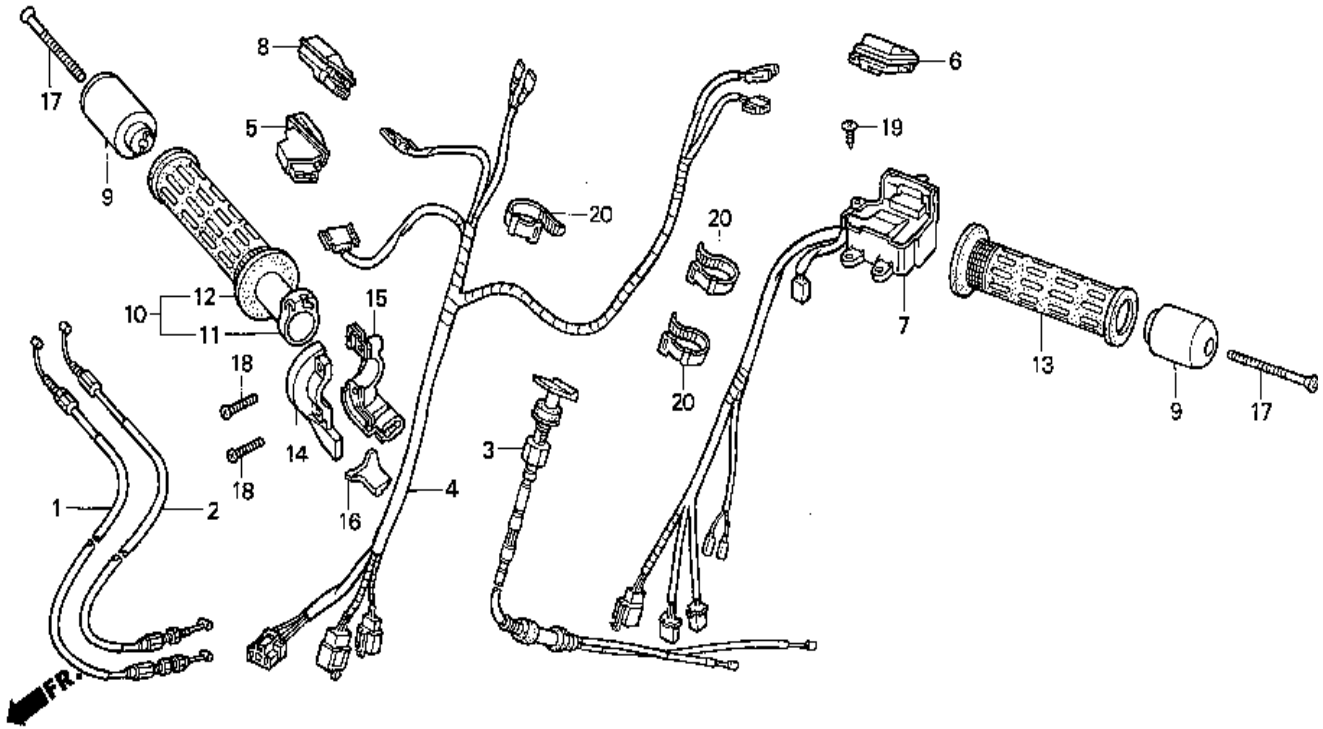
From Serial#: LM102467

36	1	91305MC7000 O-RING,39.5X5
37	2	91405750800 (90602-ZG5-003) CLIP A,FUEL HOSE Note: this part is superseded by 90602ZG5003.
38	2	938910501407 SCREW,WASHER 5X14
39	2	938920501208 SCREW-WASH.,5X12
40	2	9390325310 SCREW,TAP.5X16
41	4	94021060000S (94021-060-20) NUT HEX CAP,6MM Note: this part is superseded by 9402106020.
41	4	9402106020 NUT,HEX,CAP,6MM
41	4	94021060200S (94021-060-20) NUT, BLIND, 6M/M Note: this part is superseded by 9402106020.
41	4	9402206020 (94021-060-20) NUT, BLIND, 6M/M Note: this part is superseded by 9402106020.
42	1	9500201130 CLIP,A-13 TUBE
43	2	950024100008 CLAMP D 10.0 TUBE
44	6	950024120008 CLAMP D 12.0 TUBE
45	2	950024120008 CLAMP D 12.0 TUBE
46	Not Available	950032300860M BULK HOSE, VINYL
47	2	957010601200 BOLT FLANG 6X12
48	1	957010802508 BOLT,FLANGE,8X25









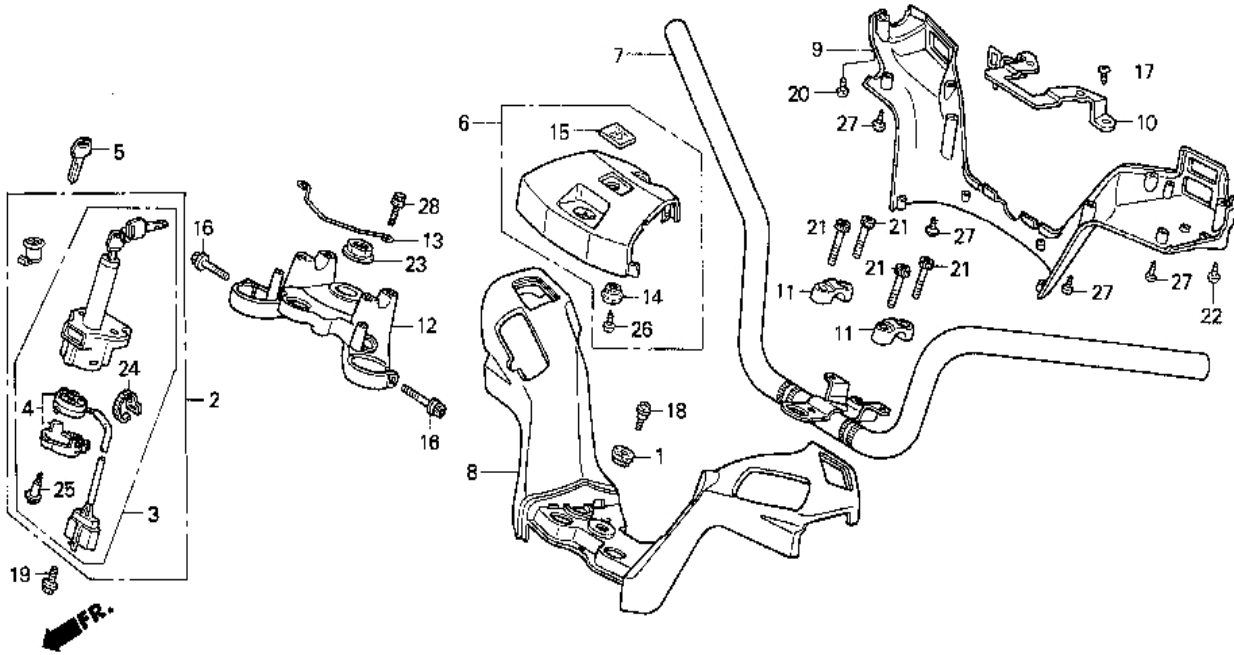
**HANDLE SWITCH**

img#	Quantity	Part	Serial#
1	1	17910MR5000 CABLE COMP.A,THRO	
2	1	17920MR5000 CABLE COMP.B,THRO	
3	1	17950MR5870ZA (17950-MR5-870ZB) CABLE COMP*NH252*	
		Note: this part is superseded by 17950MR5870ZB.	
3	1	17950MR5870ZB CABLE COMP.,*NH1*	
4	1	35131MR5670 CORD COMP.,STARTE	
5	1	35160MR5671 (35160-KFG-003) SWITCH UNIT,START	
		Note: this part is superseded by 35160KFG003.	
6	1	35170MR5013 SW.UNIT.DIMMER	
6	1	35170MR5870 (35170-MR5-013) SWITCH UNIT,DIMME	
		Note: this part is superseded by 35170MR5013.	
7	1	35200MR5871 SWITCH ASSY.,WINK	
7	1	35200MR5871 SWITCH ASSY.,WINK	

7	1	35200MR5870 (35200-MR5-871) SWITCH ASSY.,WINK Note: this part is superseded by 35200MR5871.	Upto Serial#: LM102546
7	1	35200MR5870 (35200-MR5-871) SWITCH ASSY.,WINK Note: this part is superseded by 35200MR5871.	
8	1	35210MR5870 SWITCH UNIT,KILL	
9	2	53105MR5870 WEIGHT,STEERING H	
11	1	53141MR5000 PIPE,THROTTLE GRI	
12	1	53165MR5000 GRIP,R.HANDLE	
13	1	53166MR5000 GRIP,L HANDLE	
14	1	53167MR5000 HOUSING,UPPER THR	
15	1	53168MR5000 HOUSING,UNDER THR	
16	1	53169KB7000 SLIDER,THROTTLE	
17	2	967000806507 BOLT,SOCKET,8X65	
18	2	93500050200A SCREW,PAN,5X20	
19	3	9390324420 SCREW 4X16	
20	3	90650MA6720 BAND.HARNES	





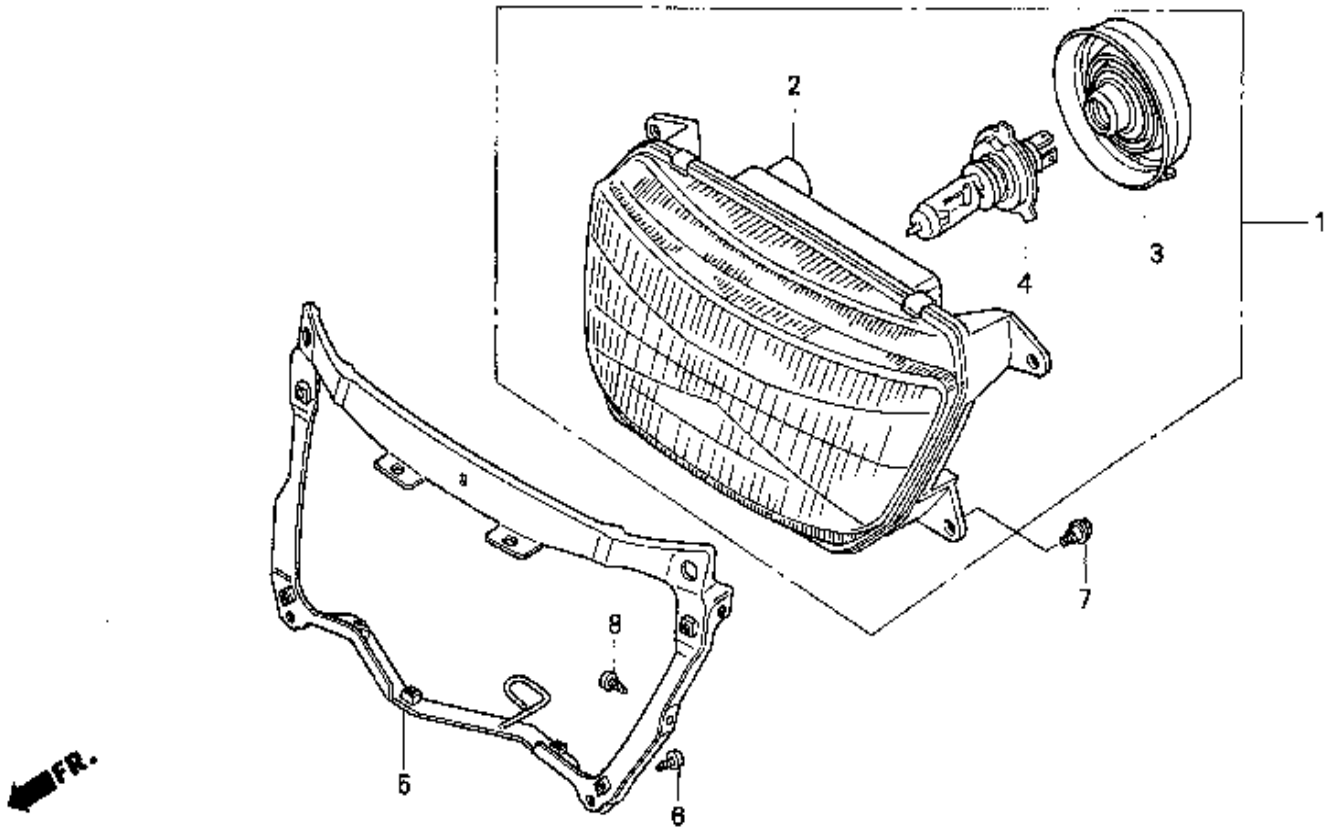


**HANDLEBAR**

img#	Quantity	Part	Serial#
1	1	11345MB0000 GROMMET B,	
2	1	35010MR5870 (35010-MR5-871) KEY SET Note: this part is superseded by 35010MR5871.	
2	1	35010MR5871 KEY SET	
3	1	35100MR5870 (35100-MR5-831) SWITCH ASSY.,COMB Note: this part is superseded by 35100MR5871.	Upto Serial#: LM102065
3	1	35100MR5870 (35100-MR5-831) SWITCH ASSY.,COMB Note: this part is superseded by 35100MR5871.	
3	1	35100MR5871 (35100-MR5-831) SWITCH ASSY.,COMB Note: this part is superseded by 35100MR5872.	
3	1	35100MR5871 (35100-MR5-831) SWITCH ASSY.,COMB Note: this part is superseded by 35100MR5872.	
4	1	35101MR5870 (35101-MR5-872) BASE COMP.,CONTAC Note: this part is superseded by 35101MR5871.	Upto Serial#: LM102065
4	1	35101MR5870 (35101-MR5-872) BASE COMP.,CONTAC Note: this part is superseded by 35101MR5871.	

4	1	35101MR5871 (35101-MR5-872) BASE COMP.,CONTAC Note: this part is superseded by 35101MR5872.	From Serial#: LM102066
4	1	35101MR5872 BASE COMP,CONTACT	From Serial#: LM102066
5	1	35121KW3771 KEY,BLANK (NO.1)	
5	1	35122KW3771 KEY,BLANK (NO.2)	
6	1	53020MR5000ZA COVER COMP*NH252*	
7	1	53100MR5870 PIPE,STRG HNDL	
8	1	53110MR5000ZA (53110-MR5-870ZA) COVER,HAND*NH252* Note: this part is superseded by 53110MR5870ZA.	
8	1	53110MR5870ZA COVER,HAND*NH252*	
9	1	53115MR5000ZA (53115-MR5-870ZA) COVER,HAND*NH252* Note: this part is superseded by 53115MR5870ZA.	
9	1	53115MR5870ZA COVER,HAND*NH252*	
10	1	53117MR5000 STAY,HANDLE LOWER	
11	2	53131MR5000 HOLDER,UPPER	
12	1	53230MR5000 BRIDGE,FORK TOP	
13	1	64254MR5000 GUIDE,HARNESS	
14	1	83601ML7000 BOSS SIDE COVER	
15	1	86150MR5300 EMBLEM,WING MARK	
16	2	90063MK4000 BOLT,FLANGE SOCKE	
17	2	90101SA4000 (93913-142-80) SCREW.TAPPING (PO)4X Note: this part is superseded by 9391314280.	
17	2	9391314280 SCREW,TAPPING,(PO)4X	
18	3	90102GB4000 SCREW,LT.SETTING	
19	2	90104MJ1000 BOLT FLANG 8X19	
20	1	90105KB7910 SCREW,TAPP,4X40	

21	4	90112MB0000 BOLT, SOCKET, 8X34
22	1	90147443000 SCREW, TAPPING, 4X6
23	1	90304MK3000 NUT, FLANGE., STEER
24	1	91058MG9681 BAND, SELF LOCK
25	3	91059MK4601 (91059-KY2-711) SCREW, TAPPING, 3X1 Note: this part is superseded by 91059KY2711.
25	3	91059KY2711 SCREW, TAPPING, 3X1
26	1	9390124320 SCREW, TAPPING, 4X12
27	4	9390124480 SCREW-WASHER 4X16
28	2	958010601208 (95701-060-1208) BOLT FLANGE 6X12 Note: this part is superseded by 957010601208.
28	2	957010601208 BOLT, FLANGE, 6X12



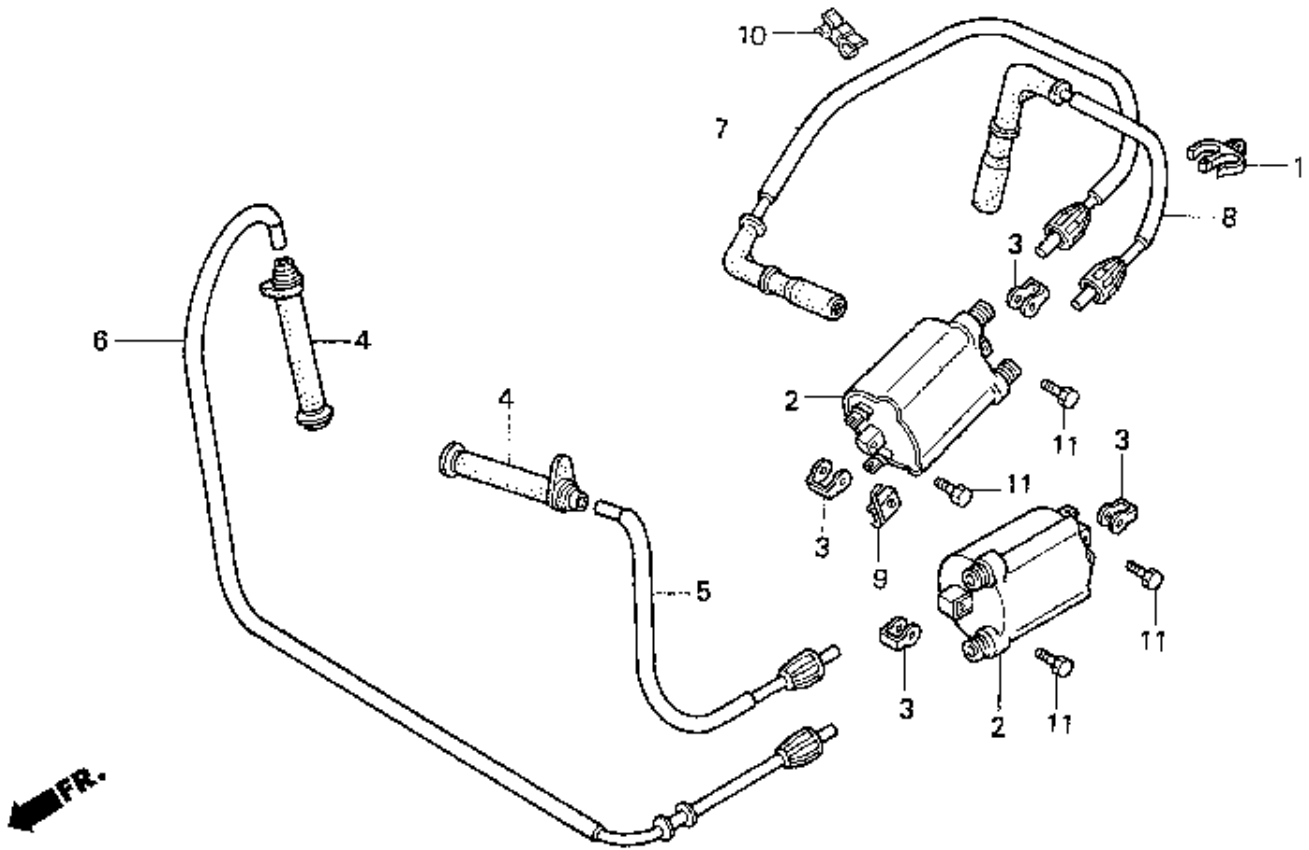
### HEADLIGHT

img#	Quantity	Part	Serial#
1	1	33100MR5671 (33100-MR5-672) LIGHT ASSY HEAD Note: this part is superseded by 33100MR5672.	
1	1	33100MR5672 LIGHT ASSY HEAD	
2	1	33102MR5671 HEADLIGHT UNIT	
3	1	33112MM5601 COVER RUBBER	
4	1	34901MC7601 (33111-S6D-G01HE) BULB,HEADLIGHT Note: this part is superseded by 33115ST3E01.	
4	NA	34901MC7601AH BULB (12V60/55W)	
5	1	64213MR5000 STAY HEADLIGHT SE	

6	2	90101SA4000 (93913-142-80) SCREW.TAPPING (PO)4X Note: this part is superseded by 9391314280.	
6	2	9391314280 SCREW,TAPPING,(PO)4X	
7	4	90102GB2720 SCREW PAN 5X16	
8	4	93500040080A SCREW,PAN,4X8	From Serial#: LM100136
8	4	93500040120A SCREW,PAN 4X12	Upto Serial#: LM100135
8	4	93500040120A SCREW,PAN 4X12	







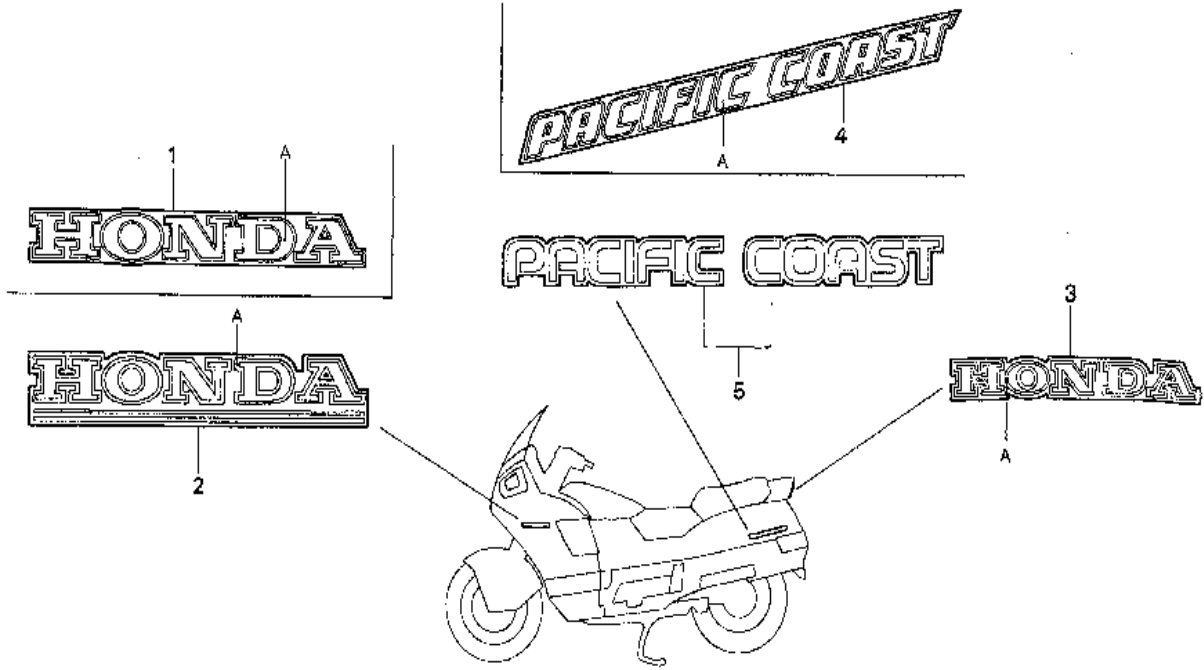
**IGNITION COIL**

img#	Quantity	Part
1	1	17406PD2661 CLAMP,AUTO CHOKE
2	2	30510MM8003 COIL COMP.,IGNITI
3	4	30520ML7000 SPACER,IGNITION C
4	2	30700MK4610 (30700-MK4-611) CAP ASSY.,NOISE (
4	2	30700MK4611 CAP ASSY.,NOISE (
5	1	30751MR5000 CAP ASSY.HIGH/T 1
6	1	30752MR5000 CORD HIGH/T 2
7	1	30753MR5000 CAP ASSY.,HIGH/T
8	1	30754MR5000 CAP ASSY.,HIGH/T
9	NA	50328MR5000 GUARD

10	1	90655MB1920 (90655-MB1-921) CLIP,WIRE Note: this part is superseded by 90655MB1921.
11	4	92201060204J (92101-060-204J) BOLT,HEX.,6X20 Note: this part is superseded by 92101060204J.

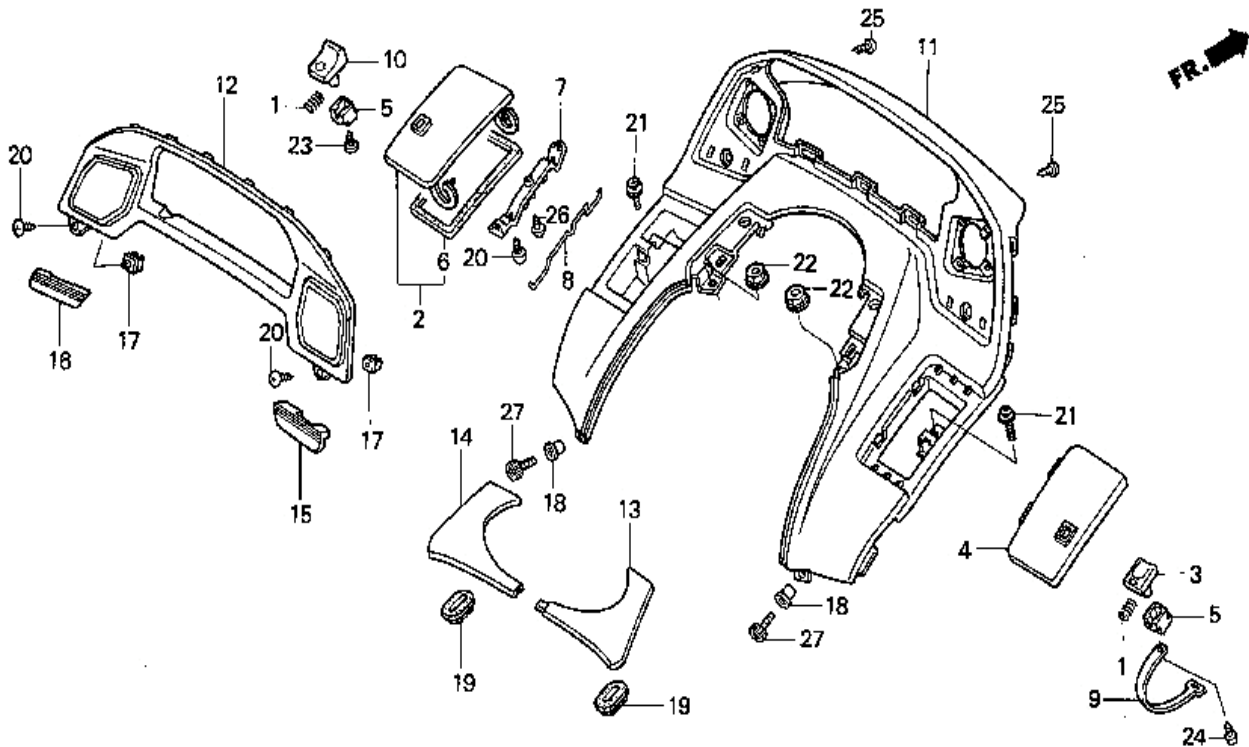






**MARK CHART**

img#	Quantity	Part
2	2	64201MR5300ZB MARK,FR.UP*TYPE3*
3	1	77211MR5300ZC MARK,TAIL *TYPE3*
5	2	81221MR5300ZC MARK,TRUNK*TYPE3*



### METER PANEL

REF NO	Quantity	Part
1	1	64325MR5870 (64235-MR5-870) SPRING,KNOB Note: this part is superseded by 64235MR5870.
1	1	64235MR5870 SPRING,KNOB
2	1	64223MR5010ZA COVER COMP*NH252*
3	1	64224MR5010 KNOB,R POCKET COV
3	1	64224MR5870 (64224-MR5-010) KNOB,R.POCKET COV Note: this part is superseded by 64224MR5010.
4	1	64225MR5870 (64225-MR5-010ZA) COVER,R.POCKET Note: this part is superseded by 64225MR5010.
4	1	64225MR5010 (64225-MR5-010ZA) COVER,R POCKET Note: this part is superseded by 64225MR5010ZA.
4	1	64225MR5010ZA COVER,R.PO*NH252*
5	2	64227MR5010 LOCK,POCKET COVER
6	1	64228MR5300 SEAL,POCKET COVER

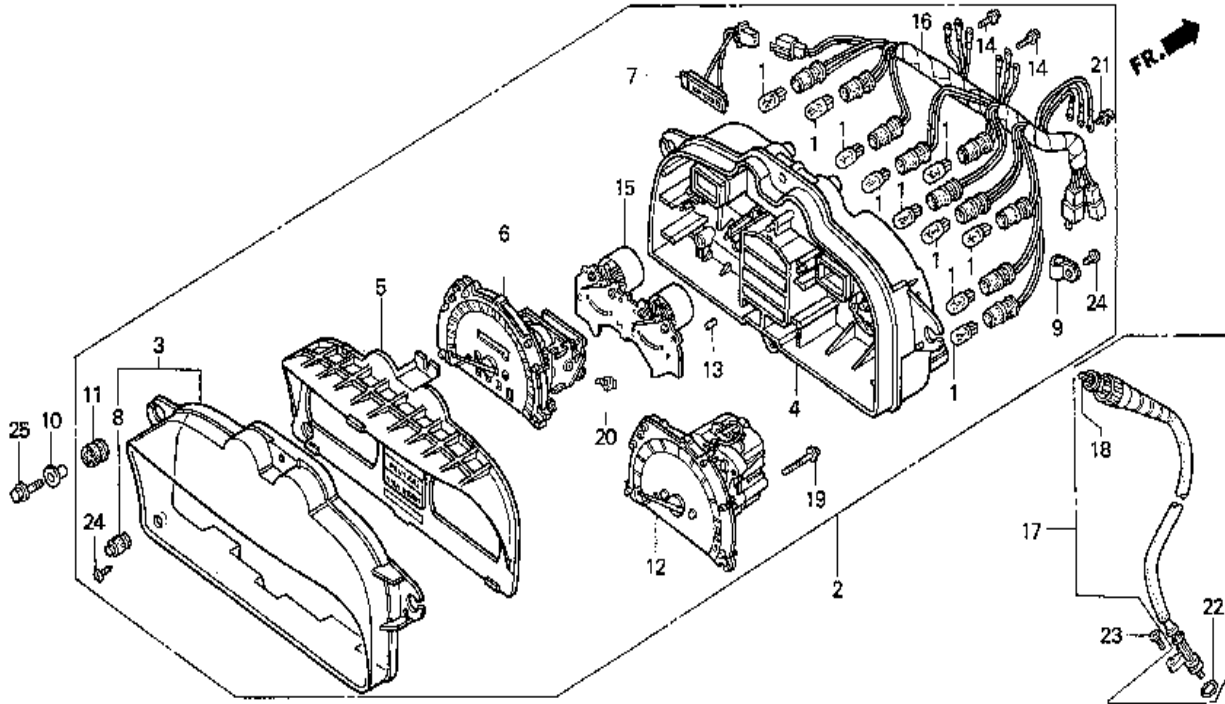
7	1	64229MR5000 PLATE,POCKET COVE
8	1	64231MR5870 SPRING,L.POCKET C
9	1	64232MR5870 BAND,STRAP
10	1	64234MR5000 KNOB,L.POCKET COV
11	1	64240MR5000ZA (64240-MR5-010ZA) PANEL,METE*NH252* Note: this part is superseded by 64240MR5010ZA.
11	1	64240MR5010ZA VISOR,METE*NH252*
12	NA	64245MR5000ZA PANEL,METE*NH105*
13	1	64246MR5000ZA PANEL,R.CE*NH252*
14	1	64247MR5000ZA PANEL,L.CE*NH252*
15	1	64248MR5000ZA LID,R.METE*NH105*
16	1	64249MR5000ZA LID,L.METE*NH105*
17	2	75522634000 (90866-SA0-000) GROMMET,4MMSCREW Note: this part is superseded by 90866SA0000.
17	2	90866SA0000 SCREW GROMMET 4MM
18	2	80109KG7000 COLLAR,AIR/C
19	2	83551GE2000 GROMMET,A/C.CASE
20	4	90101SA4000 (93913-142-80) SCREW.TAPPING (PO)4X Note: this part is superseded by 9391314280.
20	4	9391314280 SCREW,TAPPING,(PO)4X
21	2	90105MB1000 SCREW SPECIAL5X12
22	2	90302187000 NUT,FLANGE,6MM
23	1	9390124380 SCREW,TAPPING,4X12
24	1	90101SA4000 (93913-142-80) SCREW.TAPPING (PO)4X Note: this part is superseded by 9391314280.

24	1	9391314280 SCREW,TAPPING,(PO)4X
25	2	9390224320 SCREW,TAPPING,4X1
26	1	90101SA4000 (93913-142-80) SCREW.TAPPING (PO)4X Note: this part is superseded by 9391314280.
26	1	9391314280 SCREW,TAPPING,(PO)4X
27	2	966000601608 BOLT,SOCKET 6X16
27	2	967000601608 (96600-060-1608) BOLT SOCKET,6X16 Note: this part is superseded by 966000601608.









**METERS**

img#	Quantity	Part	Serial#
1	10	34908GA7701 (34908-KW3-003) BULB,WEDGE BASE Note: this part is superseded by 37237SA5003.	
1	10	37102567009 (34908-KW3-003) BULB Note: this part is superseded by 37237SA5004.	
1	10	37237SA5003 (34908-KW3-003) BULB Note: this part is superseded by 34908KW3003.	
1	10	37237SA5004 (34908-KW3-003) BULB Note: this part is superseded by 37237SA5003.	
2	1	37100MR5871 METER ASSY.,COMBI	
2	1	37100MR5871 METER ASSY.,COMBI	
2	1	37100MR5870 (37100-MR5-871) METER ASSY.,COMBI Note: this part is superseded by 37100MR5871.	Upto Serial#: LM102065
2	1	37100MR5870 (37100-MR5-871) METER ASSY.,COMBI Note: this part is superseded by 37100MR5871.	
3	1	37110MR5008 GLASS COMP.,METER	

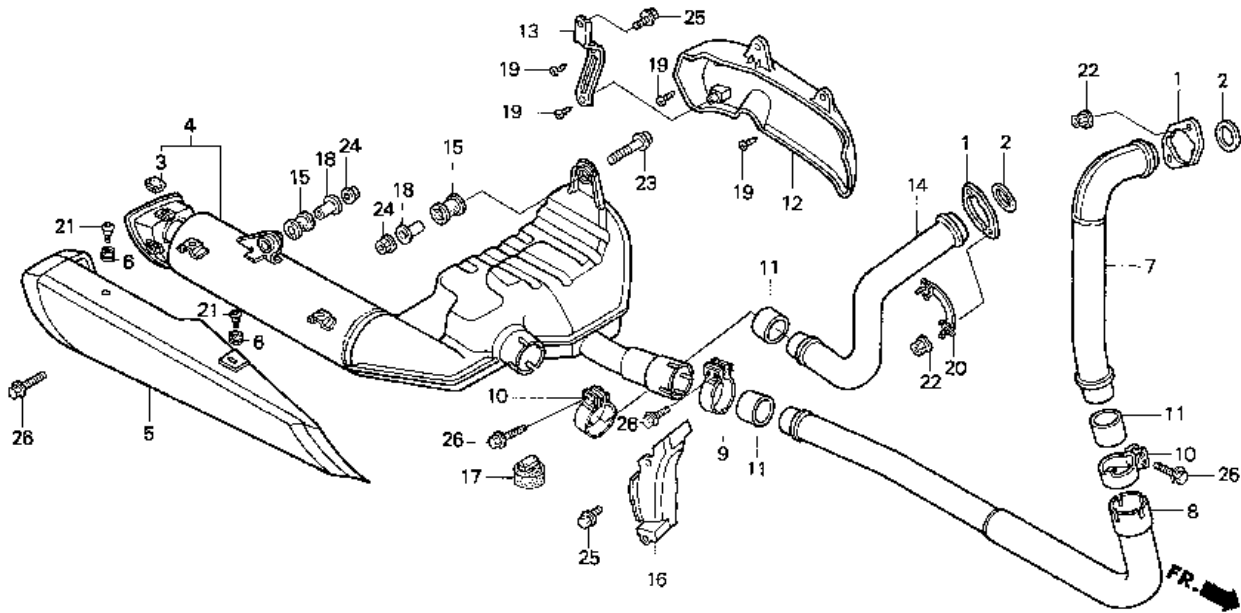
4	1	37120MR5871 CASE ASSY.,METER	
4	1	37120MR5871 CASE ASSY.,METER	
4	1	37120MR5870 (37120-MR5-871) CASE ASSY.,METER Note: this part is superseded by 37120MR5871.	Upto Serial#: LM102065
4	1	37120MR5870 (37120-MR5-871) CASE ASSY.,METER Note: this part is superseded by 37120MR5871.	
5	1	37130MR5671 (37130-MR5-661) PLATE REFLECTING Note: this part is superseded by 37130MR5661.	
6	1	37200MR5871 SPEEDOMETER ASSY.	
6	1	37200MR5871 SPEEDOMETER ASSY.	
6	1	37200MR5870 (37200-MR5-871) SPEEDOMETER ASSY. Note: this part is superseded by 37200MR5871.	Upto Serial#: LM102065
6	1	37200MR5870 (37200-MR5-871) SPEEDOMETER ASSY. Note: this part is superseded by 37200MR5871.	
7	1	37203MR5008 SWITCH ASSY.,LEAD	
8	1	37205MR5008 KNOB,TRIP METER	
9	1	37215MB6831 CLAMP	
10	4	37243MM4000 COLLAR,SPEEDOMETE	
11	4	37244MB6631 RUBBER,METER MOUN	
12	1	37250MR5601 TACHOMETER ASSY.	
12	1	37250MR5671 (37250-MR5-601) TACHOMETER ASSY Note: this part is superseded by 37250MR5601.	
13	3	37304198901 RUBBER,CUSHION	
14	6	37305KE5008 SCREW WASH 3X22	
15	1	37400MR5008 METER ASSY.,FUEL	
16	NA	37619MR5870 SOCKET	Upto Serial#: LM102065

16	NA	37619MR5870 SOCKET	
16	NA	37619MR5871 SOCKET	From Serial#: LM102066
17	1	44830MR5000 CABLE ASSY.,SPEED	
18	1	44831MR5300 CABLE,INNER	
19	2	90032ML7671 (90133-SG0-A01) SCREW TAPPING 4X3 Note: this part is superseded by 90133SG0A01.	
19	2	90133SG0A01 SCREW,TAPPING,(4X	
20	2	90101GC8008 SCREW.FLANGE 4X8	
21	3	90108GN2008 SCREW-WASHER,3X10	
22	1	91301027000 (91306-PJ4-000) ORING,6.8X1.9 Note: this part is superseded by 91306PJ4000.	
22	1	91306PJ4000 O RING, 6.8X1.9	
22	1	91310MC7003 (91306-PJ4-000) O-RING B,6.8X1.9 Note: this part is superseded by 91306PJ4000.	
23	1	93700050200G SCREW,OVAL,5X20	
24	3	9390124420 SCREW TAPP 4X16	
25	4	957010602500 BOLT,FLANGE,6X25	





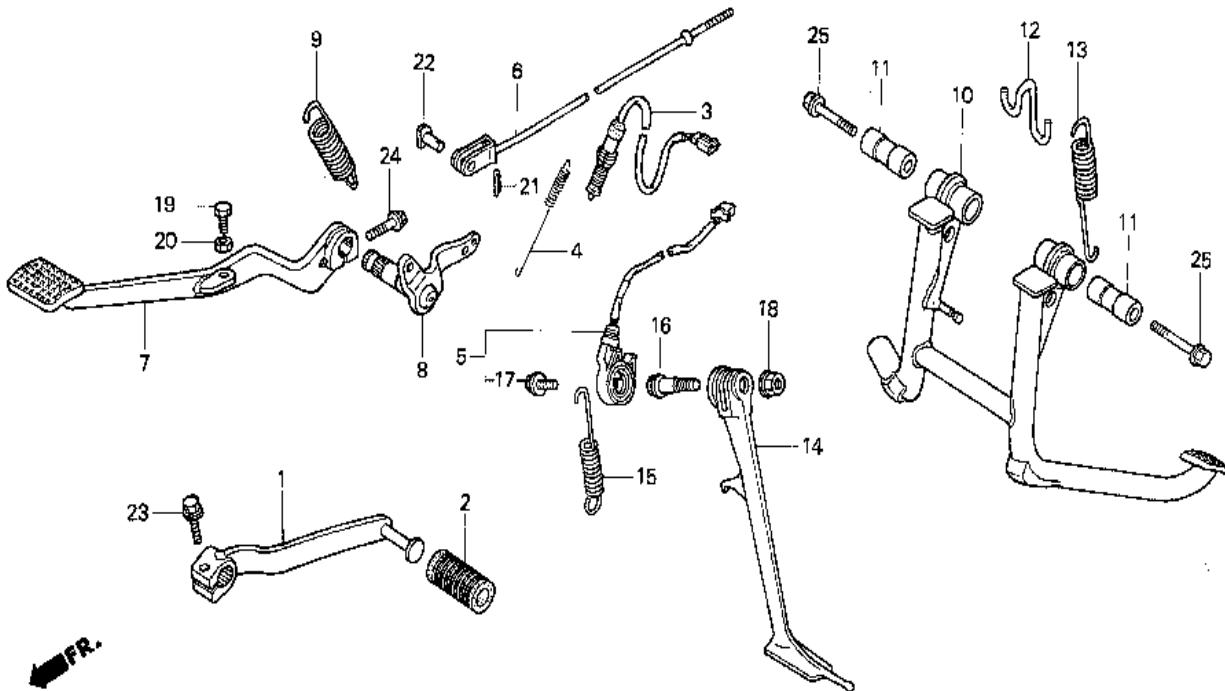




**MUFFLER**

img#	Quantity	Part
1	2	18231MR5000 JOINT,EX.PIPE
2	2	18291ME9000 (18291-MM8-880) GASKET,EX.PIPE Note: this part is superseded by 18291ME9306.
2	2	18291ME9306 (18291-MM8-880) GASKET,EXH PIPE Note: this part is superseded by 18291MM8880.
2	2	18291MM8880 GASKET,EX.PIPE
3	3	18293MN0000 RUBBER,PROTECTOR
4	1	18300MR5P00 CHAMBER COMP,EXH.
4	1	18300MR5870 (18300-MR5-P00) CHAMBER COMP.,EX. Note: this part is superseded by 18300MR5P00.
5	1	18315MR5000 COVER R,MUFFLER
6	3	18318MR5000 RUBBER,MUFFLER CO
7	1	18320MR5003 PIPE,FR.EX.
8	1	18330MR5003 PIPE (B),FR.EX.
9	1	18373MR5000 BAND,FR.EX.PIPE
10	2	18376KG0003 BAND,MUFFLER

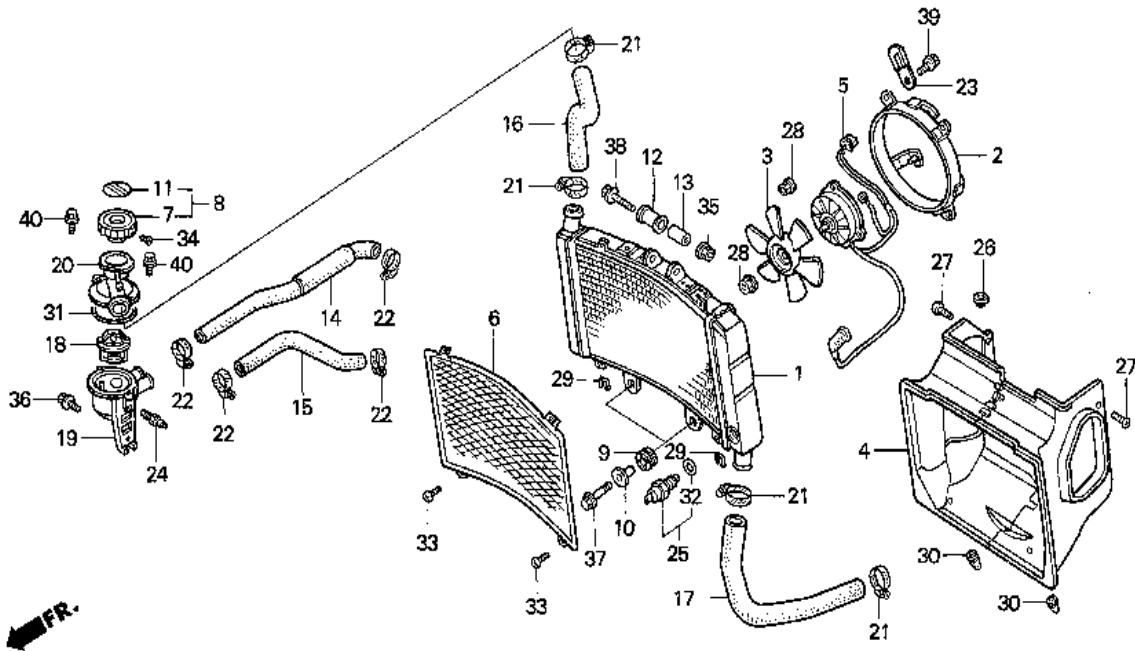
11	3	18392MK4000 PACKING,MUFFLER
12	1	18415MR5000 COVER,CHAMBER
13	1	18418MR5000 STAY,CHAMBER COVE
14	1	18420MR5871 PIPE,RR.EX.
15	2	18421KE8000 RUBBER,MUFF MOUNT
16	1	18425MR5870 COVER,RR.EX.HEAT
17	1	50524MG9000 RUB,STAND STOPPER
18	2	51486GT3620 COLLAR,STEP
19	4	90101SA4000 (93913-142-80) SCREW.TAPPING (PO)4X Note: this part is superseded by 9391314280.
19	4	9391314280 SCREW,TAPPING,(PO)4X
20	1	90107MR5870 WASHER ASSY.,TONG
21	3	90113MM5000 SCREW,PAN,6X14
22	4	90309428731 NUT,FLANGE,8MM
23	1	934040803500 BOLT-WASHER,8X35
24	2	9405008080 NUT,FLANGE,8MM
25	4	957010601208 BOLT,FLANGE,6X12
26	7	957010803500 BOLT,FLANGE,8X35



**PEDAL**

img#	Quantity	Part
1	1	24701MR5870 PEDAL,GEAR CHANGE
2	1	24781KR3770 RUBBER,CHANGE PED
3	1	35350MR5000 (35350-MR5-405) SW ASSY,REAR STOP Note: this part is superseded by 35350MR5405.
3	1	35350MR5405 SWITCH ASSY.,RR.S
4	1	35357ML0000 SPRING,STOP SWITC
5	1	35700MR5870 SWITCH ASSY.,SIDE
6	1	43451MR5000 ROD,REAR BRAKE
7	1	46500MR5000 PEDAL COMP,REAR B
8	1	46505MR5000 SPINDLE COMP.,RR
9	1	46514415000 SPRING,RR.BRAKE
10	1	50500MR5000 STAND COMP,MAIN
11	2	50503MR5300 COLLAR,MAIN STAND

13	1	50522KE8000 SPRING,MAIN STAND
14	1	50530MR5000 BAR,SIDE STAND
15	1	50535MK6670 SPRING,SIDE STAND
16	1	90108MR5000 BOLT,SIDE STAND P
17	1	90147MCE950 BOLT,SPECIAL 6X16
17	1	90147MK6671 (90147-MCE-950) BOLT,SPECIAL 6X16 Note: this part is superseded by 90147MCE950.
18	1	90203MF9710 NUT,SIDE STAND
19	1	92101060180A BOLT,HEX.,6X18
20	1	94002060000S NUT,THIN 6MM
21	1	9420120120 (94201-201-20) PIN,SPLIT2.0X12 Note: this part is superseded by 80076775003.
22	1	9501553000 PIN C,JOINT
23	1	957010602000 BOLT,FLANGE,6X20
24	1	958010803208 BOLT,FLANGE 8X32
25	2	958011006010 (95801-100-6000) BOLT,FLANGE,10X60 Note: this part is superseded by 958011006000.
25	2	958011006000 BOLT,FLANGE,10X60

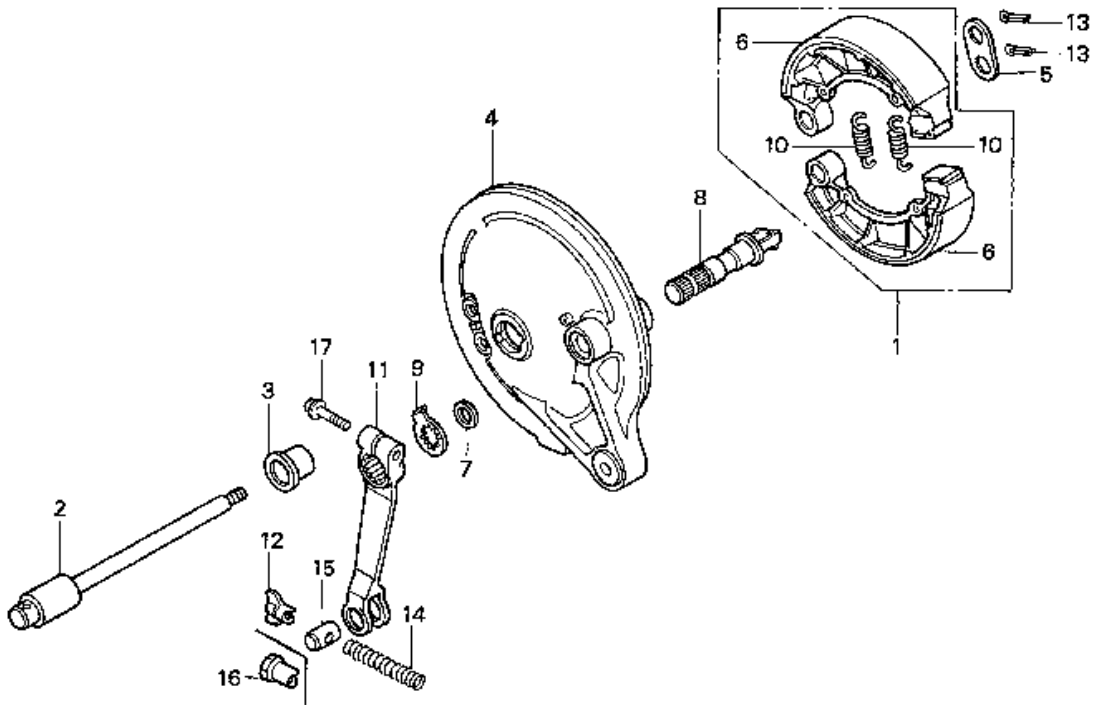


### RADIATOR

img#	Quantity	Part	Serial#
1	1	19010MR5003 RADIATOR COMP	
2	1	19015MR5003 SHROUD COMP.	
3	1	19020MM5003 FAN COMP.,COOLING	
4	1	19020MR5000 SHROUD ASSY	
5	1	19030MR5871 (19030-MR5-872) MOTOR,FAN Note: this part is superseded by 19030MR5872.	Upto Serial#: LM101915
5	1	19030MR5871 (19030-MR5-872) MOTOR,FAN Note: this part is superseded by 19030MR5872.	
5	1	19030MR5872 MOTOR,FAN	
5	1	19030MR5872 MOTOR,FAN	
6	1	19032MR5000 GRILLE,RADIATOR	
7	1	19045MR1771 (19045-MY3-621) CAP COMP.,RAD Note: this part is superseded by 19045MY3621.	
7	1	19045MY3621 CAP COMP.RAD.	
9	2	19051KA3830 RUBBER,RAD.MOUNT	

10	2	19052KA3830 (19052-MAC-680) COLLAR,RAD.MT Note: this part is superseded by 19052MAC680.
10	2	19052MAC680 COLLAR,RAD MT
12	1	19113KM4000 RUB.,RADIATOR MT.
13	1	19114KM4000 COLLAR,RADIATOR
14	1	19114MR5000 HOSE WATER OUTLET
15	1	19115MR5000 HOSE WATER OUTLET
16	1	19116MR5000 HOSE RADIATOR UPP
17	1	19117MR5000 HOSE RADIATOR LOW
18	1	19300MB0003 THERMOSTAT
19	1	19311MR5000 CASE THERMOSTAT
20	1	19315MR5000 COVER,THERMOSTAT
21	4	19505ML3770 CLAMPER,WATER HOS
22	4	19506KS6700 CLAMPER B,WATER H
23	1	32925958000 CLIP,PULSER CORD.
24	1	37750PC1004 THERMO UNIT ASSY
25	1	37760MT2003 SWITCH ASSY.,THER
26	1	80101166000 GROMMET,WIRE CORD
27	4	90109SB6000 SCREW TRUSS 5X16
28	4	90315MK3003 NUT,SERRAT,5MM
29	2	90344MF9000 NUT,CLIP,4MM
30	2	90899422610 PLUG,CORN
31	1	91307MB0003 O-RING,54X2
32	1	91307PH7660 O-RING,13.5X1.4

32	1	91307611000 (91307-PH7-660) O-RING 13.5X1.4 Note: this part is superseded by 91307PH7660.
33	2	93500040080G SCREW,PAN,4X8
34	1	9390122080 SCREW,TAPPING,3X6
35	1	9405006000 NUT,FLANGE,6MM
36	1	957010601600 BOLT,FLANG,6X16
37	2	957010602500 BOLT,FLANGE,6X25
38	1	957010604500 (95701-060-4507) BOLT,FLANGE,6X45 Note: this part is superseded by 957010604507.
38	1	957010604507 BOLT,FLANGE 6X45
39	4	960010601000 BOLT,FLANGE,SH 6X
40	2	960010602007 BOLT,FLANGE SH 6X



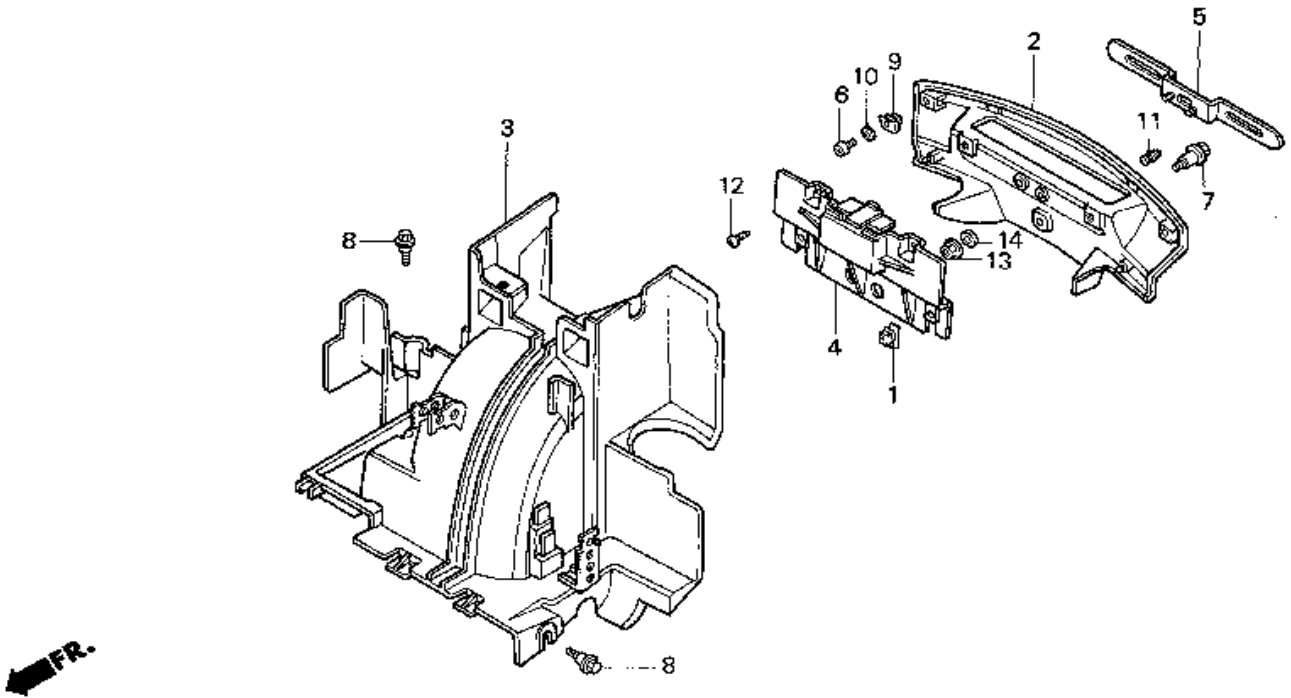
### REAR BRAKE PANEL

img#	Quantity	Part
0	1	06430MR5006 SHOE SET, BRAKE
0	1	431A0MR5670 (06430-MR5-006) SET BRAKE SHOE Note: this part is superseded by 06430MR5006.
2	1	42301MR5000 AXLE, RR WHEEL
3	1	42313MR5000 COLLAR, RR. WHEEL S
4	1	43100MR5000 PANEL COMP., BRAKE
5	1	43102319000 WASHER, ANCHER PIN
6	2	43120MR5006 SHOE COMP., RR. BRA
		Only 3 left!
7	1	43134300000 SEAL BRAKE CAM
8	1	43141MB0000 (43141-MB0-010) CAM, RR. BRAKE Note: this part is superseded by 43141MB0010.
8	1	43141MB0010 CAM, REAR BRAKE
9	1	43145ME5000 INDICATOR, RR. BRK.

10	2	43151346000 SPRING,RR.BRAKE
11	1	43410MR5000 ARM,REAR BRAKE
12	1	43459HB2000 NUT,BRAKE ADJUSTI
13	2	9420125200 (94201-253-00) PIN COTTER 2.5MM Note: this part is superseded by 9420125300.
13	2	9420125250 (94201-253-00) PIN COTTER 2.5MM Note: this part is superseded by 9420125300.
13	2	9420125300 PIN COTTER 2.5MM
14	1	9501473100 SPG.A,BRAKE ROD
15	1	9501532001 JOINT, BRAKE ARM
17	1	957010802500 BOLT,FLANGE,8X25
17	1	957000802500 (95701-080-2500) BOLT,FLANGE,8X25 Note: this part is superseded by 957010802500.







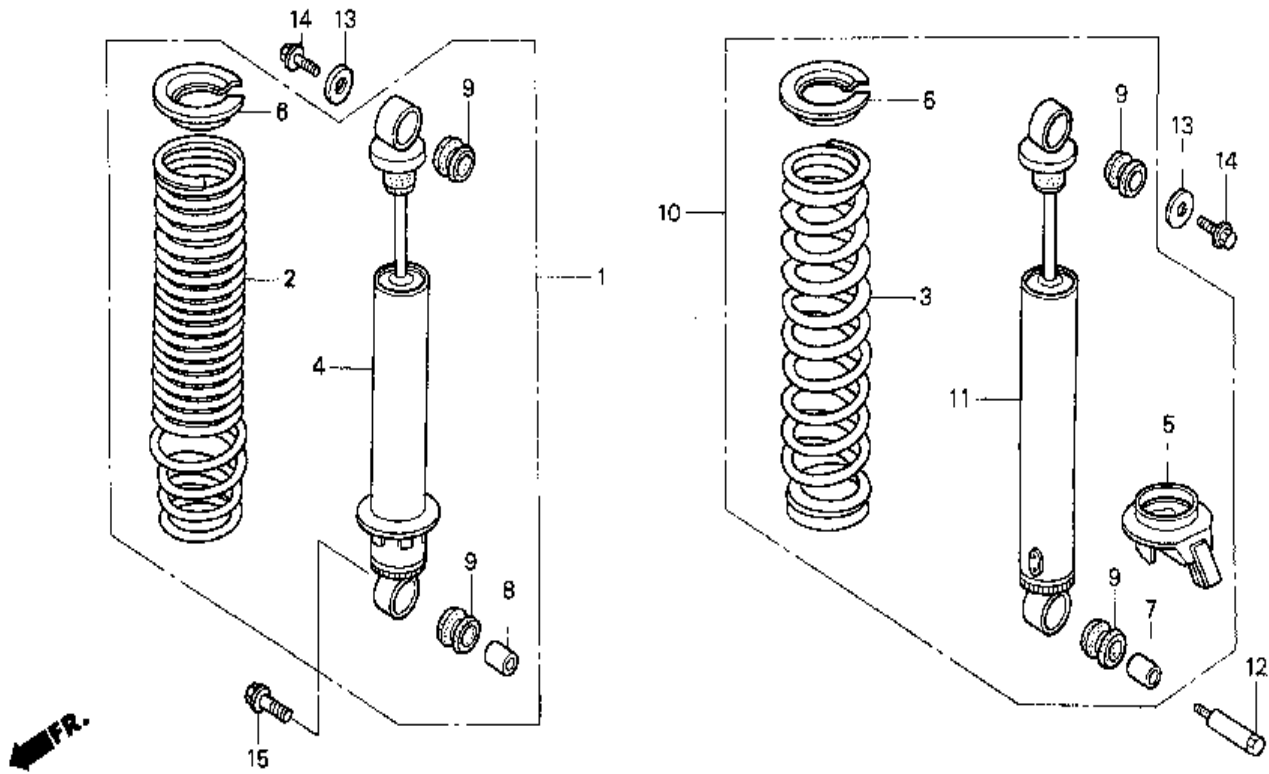
**REAR FENDER**

img#	Quantity	Part
1	2	64529MC7000 NUT,CLIP,6MM
2	1	80100MR5000ZC (80100-MR5-000ZE) FENDER A,R*TYPE3* Note: this part is superseded by 80100MR5000ZE.
2	1	80100MR5000ZE FENDER,A *NH292M*
3	1	80105MR5000 RR FENDER,B
4	1	80125MR5000 MUDGUARD A,RR
5	1	84701MR5000 BRKT COMP NUMBER
6	2	90105MG9000 SCREW PAN 5X17
7	2	90106MM9000 BOLT,FR.FENDER FI
8	2	90113GE4000 BOLT,FLANGE 6MM
9	2	90677GR1003 NUT,CLIP 5MM
10	2	90755693620 WASHER PLAIN 7MM
11	1	90899422610 PLUG,CORN

12	2 9390326320 SCREW,TAPPING,6X2
13	2 9405006080 NUT,FLANGE,6MM
14	2 9410106800 WASHER,PLAIN,6MM



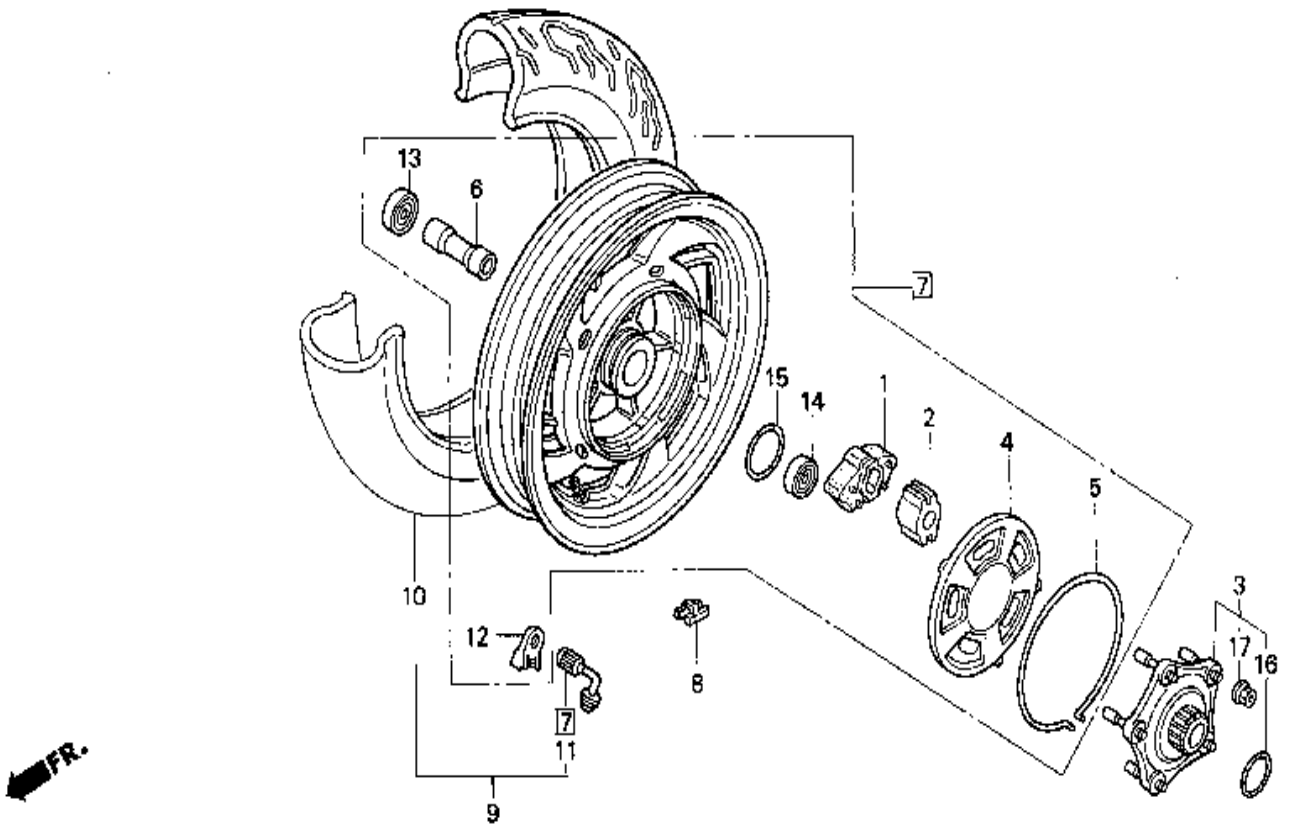




**REAR SHOCK ABSORBER**

img#	Quantity	Part
1	1	52400MR5003 CUSHION ASSY,R RR
2	NA	52401MR5003 SPRING,RR.CUSHION
3	1	52402MR5003 SPRING,RR.CUSHION
4	NA	52410MR5003 DAMPER COMP.,R.RR
5	1	52422MR5003 ADJUSTER,SPRING
6	2	52459MR5003 STOPPER,SPRING SE
7	1	52486MG9671 COLLAR RR CUSH
8	1	52486463000 COLLAR,RR.CUSHION
9	4	52489461771 BUSH,RR,CUSH
10	1	52500MR5003 CUSHION ASSY,L RR
11	NA	52510MR5003 DAMPER COMP.,L.RR

12	1	90159MG9000 BOLT,RR CUSHION
13	2	90504MA6000 WASHER,8.5X26
14	2	957010801608 BOLT,FLANGE.8X16
15	1	958011003502 BOLT,FLANGE,10X35



**REAR WHEEL**

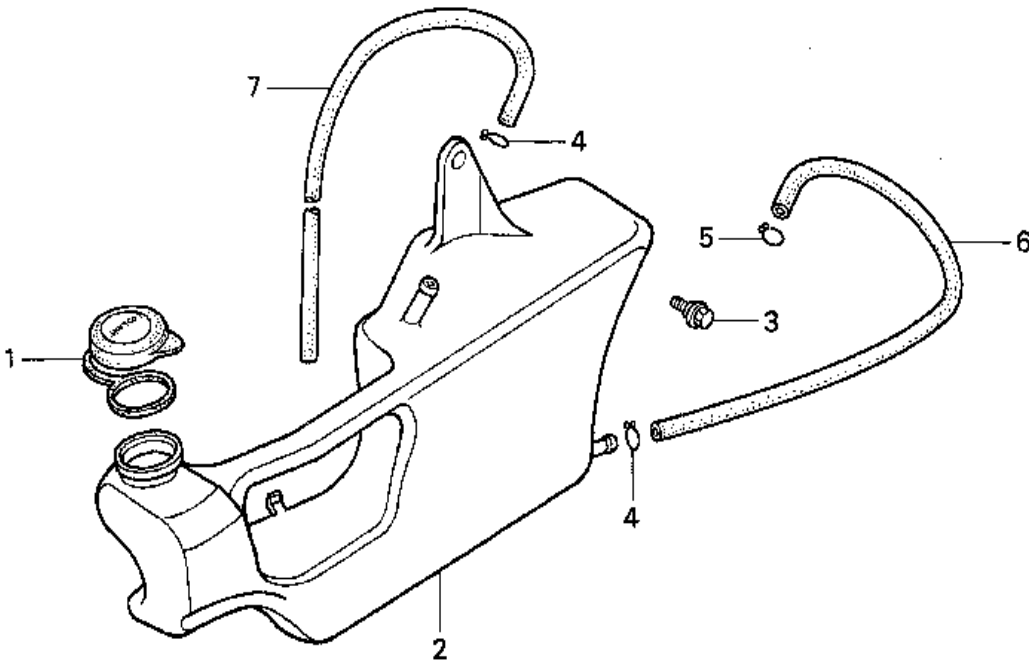
img#	Quantity	Part
1	5	41241MR5000 DAMPER,RR WHEEL
2	5	41242MR5000 PIECE DAMPER WHEE
3	1	42610MR5000 (42630-MR5-305) FLANGE ASSY,(FINL Note: this part is superseded by 42610MR5010.
3	1	42610MR5010 (42630-MR5-305) FLANGE ASSY,FINL Note: this part is superseded by 42630MR5305.
3	1	42630MR5305 FLANGE SET,FINAL
4	1	42617MR5000 HOLDER DAMPER
5	1	42618MR5000 STOPPER,DAMPER HO
6	1	42620MN5000 (42620-MW5-000) COLLAR,RR.AXLE DI Note: this part is superseded by 42620MW5000.
6	1	42620MW5000 COLLAR,RR AXLE DI

7	1	42650MR5305 WHEEL SET,RR
8	0	42704MB0000 (42704-MCF-D60) WEIGHT,BALAN(10G) Note: this part is superseded by 42704MCFD60.
8	0	42704MCFD60 WEIGHT,BALANCE 10
8	0	42705MB0000 (42705-MCF-D60) WEIGHT,BAL.20G Note: this part is superseded by 42705MCFD60.
8	0	42705MCFD60 WEIGHT,BALANCE 20
8	0	42706MB0000 (42706-MCF-D60) WEIGHT,BAL.30G Note: this part is superseded by 42706MCFD60.
8	0	42706MCFD60 WEIGHT,BALANCE 30
9	NA	42710MR5005 (42711-MR5-005) TIRE ASSY.,RR (US) Note: this part is superseded by 42711MR5005.
9	1	42710MR5871 (42711-MR5-871) TIRE ASSY.,RR.(DU) Note: this part is superseded by 42711MR5871.
9	1	42711MR5871 TIRE,RR (DUN)
11	1	42753MN5004 VALVE,RIM(DUN)
12	1	42754MN5000 HOLD,RIM VALVE
13	1	91052MM5003 BEARING,BALL RADI
14	1	91053MM5004 BEARING,BALL RADI
14	1	91053MR5003 (91053-MM5-004) BEARING,RADIAL BA Note: this part is superseded by 91053MM5004.
15	1	91302MR5003 O RING 66X2.0
16	1	91358MB0000 O-RING,46.5X3.5
17	5	9405010080 NUT,FLANGE,10MM



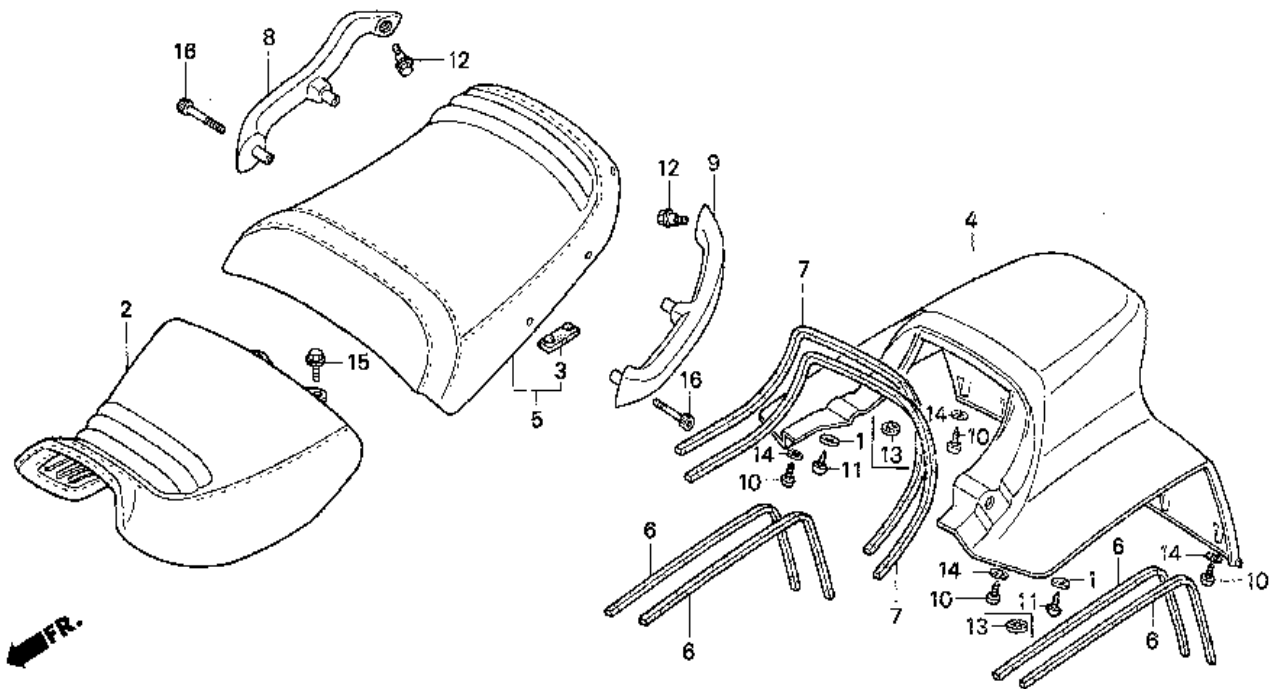


FR. →



**RESERVE TANK**

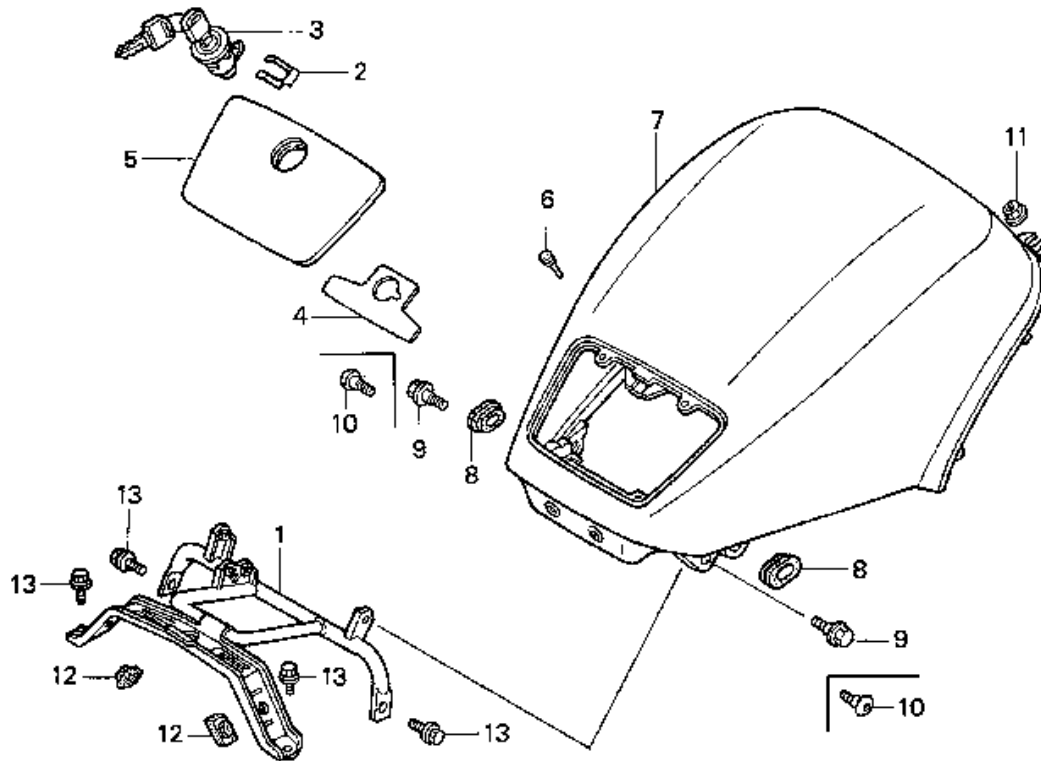
img#	Quantity	Part
1	1	19104MB0700 CAP,RESERVE TANK
2	1	19110MR5000 (19110-MR5-010) TANK RAD RESERVE Note: this part is superseded by 19110MR5010.
2	1	19110MR5010 TANK,RADIATOR RES
3	1	90111HC4000 BOLT,FLANGE 6MM
4	2	9500202120 CLIP B12,TUBE
5	1	9500270000 CLIP C11,TUBE
6	1	950057500120M BULK TUBE,TB75X1M
7	1	950057500120M BULK TUBE,TB75X1M



### SEAT

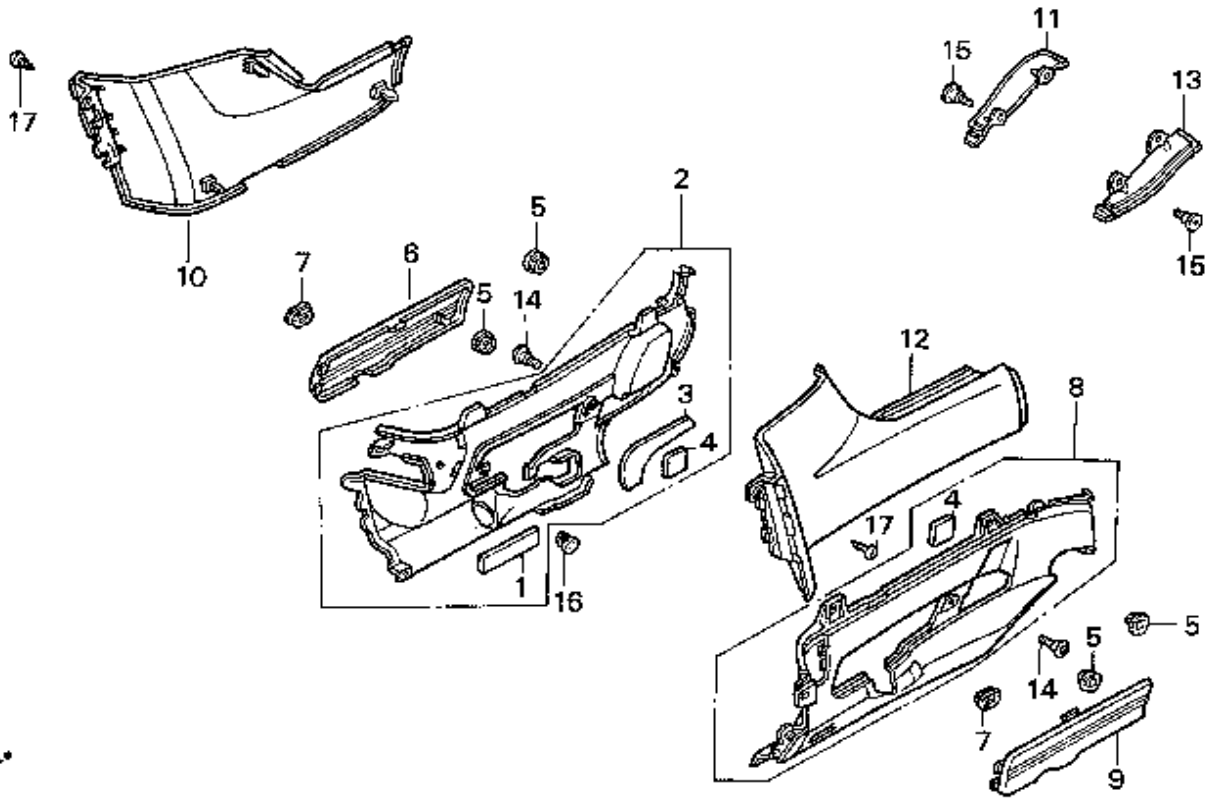
img#	Quantity	Part
2	1	77100MR5000ZA (77100-MR5-830ZA) SEAT COMP*NH185L* Note: this part is superseded by 77100MR5830ZA.
2	1	77100MR5830ZA SEAT COMP*NH185L*
3	2	77204312000 RUBBER,SEAT SET
4	1	77220MR5870ZC (77220-MR5-870ZJ) COW*R101CU/TYPE3* Note: this part is superseded by 77220MR5870ZJ.
4	1	77220MR5870ZJ COWL SET,T*TYPE3*
5	1	77300MR5000ZA SEAT COMP*NH185L*
6	4	81354MR5300 RUBBER,SEAL
7	2	81366MR5300 CUSHION,SEAL
8	1	84110MR5000ZA GRIP,R.PA*NH185L*
9	1	84120MR5000ZA GRIP,L.PA*NH185L*
10	12	90101SA4000 (93913-142-80) SCREW.TAPPING (PO)4X Note: this part is superseded by 9391314280.

10	12	9391314280 SCREW,TAPPING,(PO)4X
11	2	90107SA7003 (90130-693-000) SCREW,TAP.,4X10 Note: this part is superseded by 90130693000.
11	2	90130693000 SCREW,TAP,4X10
12	2	90111197890 BOLT,FLANGE
15	2	957010801407 BOLT,FLANGE,8X14
16	4	967000805017 BOLT,SOCKET,8X50



**SHELTER**

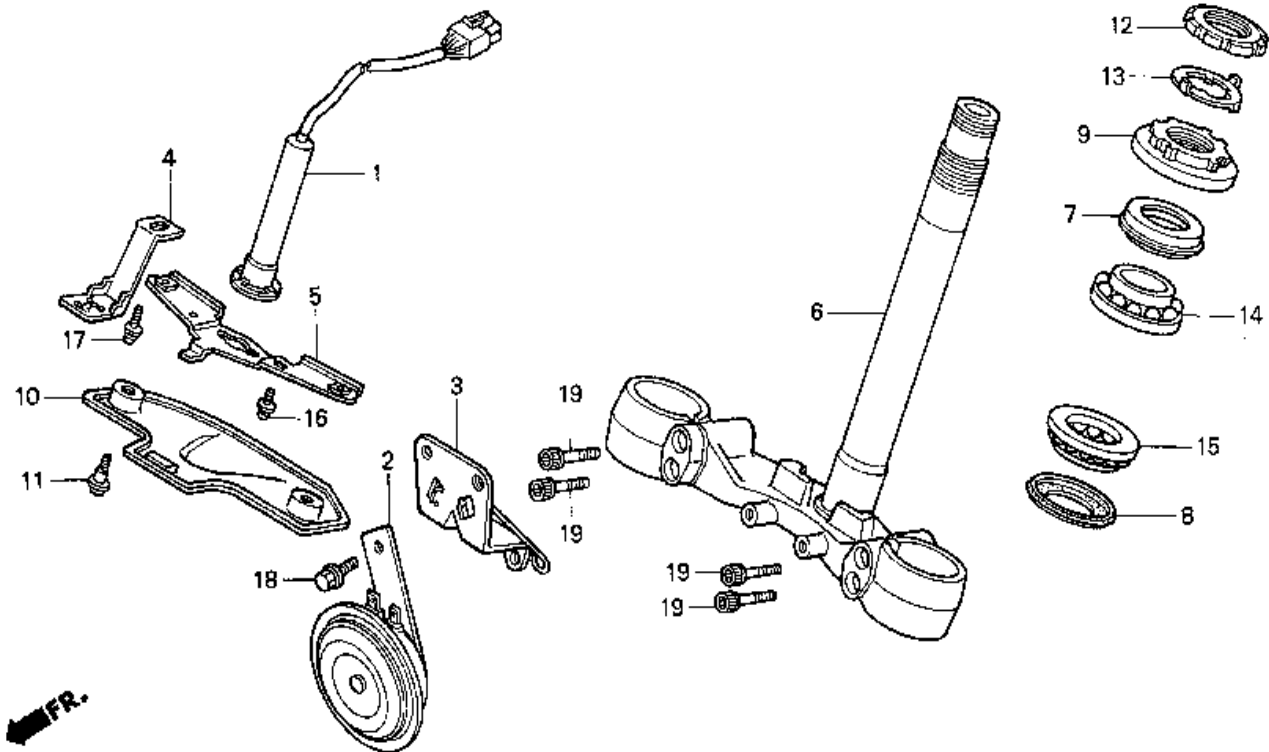
Img#	Quantity	Part
1	NA	50255MR5000 STAY, TOP SHELTER
2	1	75581GN8920 SPRING, LOCK KEY S
3	1	77232GW0000 LOCK ASSY., FUEL L
5	1	83131MR5000ZC LID, SHELTER R101CU*
7	NA	83160MR5000ZC SHELTER C R101CU*
8	2	83551GE2000 GROMMET, A/C CASE
9	2	90111197890 BOLT, FLANGE
11	2	90302187000 NUT, FLANGE, 6MM
12	2	9501161000 RUBBER A, STAND
13	4	957010601008 BOLT, FLANGE, 6X10



### SIDE COVER

img#	Quantity	Part
1	NA	17505KV0000 RUBBER, FUEL TANK
2	1	83520MR5000ZC (83520-MR5-000ZE) COVER,R.LO*TYPE3* Note: this part is superseded by 83520MR5000ZE.
2	1	83520MR5000ZE COVER,R L*NH292M*
3	1	83521MR5300 SHEET,R.LOWER COV
5	4	83525MR5000 GROMMET,STEP COVE
6	1	83530MR5000 COVER,R.STEP HOLD
7	2	83551MA6000 GLOM,SIDE COVER
8	1	83570MR5000ZC (83570-MR5-000ZE) COVER,L.LO*TYPE3* Note: this part is superseded by 83570MR5000ZE.
8	1	83570MR5000ZE COVER,L L*NH292M*
9	1	83580MR5000 COVER,L.STEP HOLD

10	1	83600MR5000ZC COVER,R.S*R101CU*
11	1	83650MR5000ZC COVER,R.S*R101CU*
12	1	83700MR5000ZC COVER,L.S*R101CU*
13	1	83750MR5000ZC COVER,L.S*R101CU*
14	2	90106MM4000 SCREW,PAN,6X14
15	4	90381MB2000 SCREW SPECL 6X11
16	1	90572MR5000 RUBBER,ENGINE STO
17	2	9390325380 SCREW TAPP 5X16



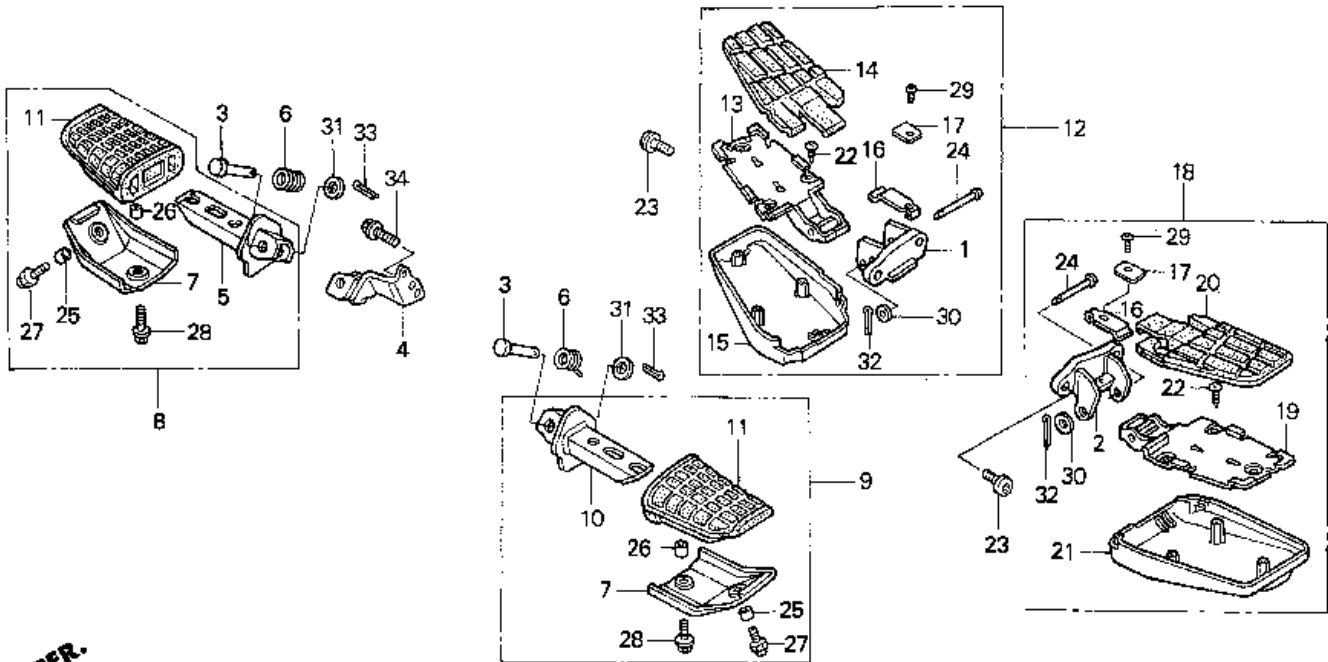
### STEERING STEM

img#	Quantity	Part	Serial#
1	1	35220MR5003 CANCEL UNIT,WINKE	
2	1	38110MR5871 HORN COMP.(HIGH)	
2	1	38110MR5871 HORN COMP.(HIGH)	
2	1	38110MR5870 (38110-MR5-871) HORN COMP.(HIGH) Note: this part is superseded by 38110MR5871.	Upto Serial#: LM102065
2	1	38110MR5870 (38110-MR5-871) HORN COMP.(HIGH) Note: this part is superseded by 38110MR5871.	
3	1	38115MR5000 STAY,HORN	
4	1	50231MR5010 SUPPORT,SENSOR	
5	1	51409MR5000 PLATE,WINKER CANC	
6	1	53200MR5000 STEM COMP,STRG	
7	1	53213MB4771 DUST SEAL,STRG UP	
8	1	53214371010 SEAL,HEAD DUST	

9	1	53220422000 THREAD,STRG.HEAD
10	1	61403MR5000 PROTECTOR,WIND
11	2	90105MB1000 SCREW SPECIAL5X12
12	1	90302425830 THREAD B, TOP
13	1	90506425830 (90506-MBL-610) WASHER Note: this part is superseded by 90506MBL610.
14	1	91015KT8005 B/BRG RAD N/COM
		alternative product available
15	1	91016KT8005 B/BRG RAD N/COM
		alternative product available
16	2	938910500807 SCREW-WASH 5X8
17	1	938940501207 SCREW-WASH.,5X12
18	1	957010801207 BOLT,FLANGE,8X12
19	4	967000803217 BOLT,SOCKET,8X32







### STEP

img#	Quantity	Part
1	1	50151MR5000 BRACKET,R.PILLION
2	1	50152MR5000 BRACKET,L.PILLION
3	2	50603033010 PIN,STEP BAR JOIN
4	1	50610MR5000 BRACKET COMP.,R.M
5	1	50612MR5000 BAR COMP,R STEP
6	2	50617MR5000 SPRING,STEP RETUR
7	2	50619MN5000 COVER,STEP LOW
8	NA	50630MR5000 STEP ASSY.,R MAIN
9	NA	50640MR5000 STEP ASSY.,L MAIN
10	1	50642MR5000 BAR COMP,L STEP
11	2	50661MN5000 RUBBER,MAIN STEP
12	NA	50710MR5870ZC STEP ASSY. *NH292M*

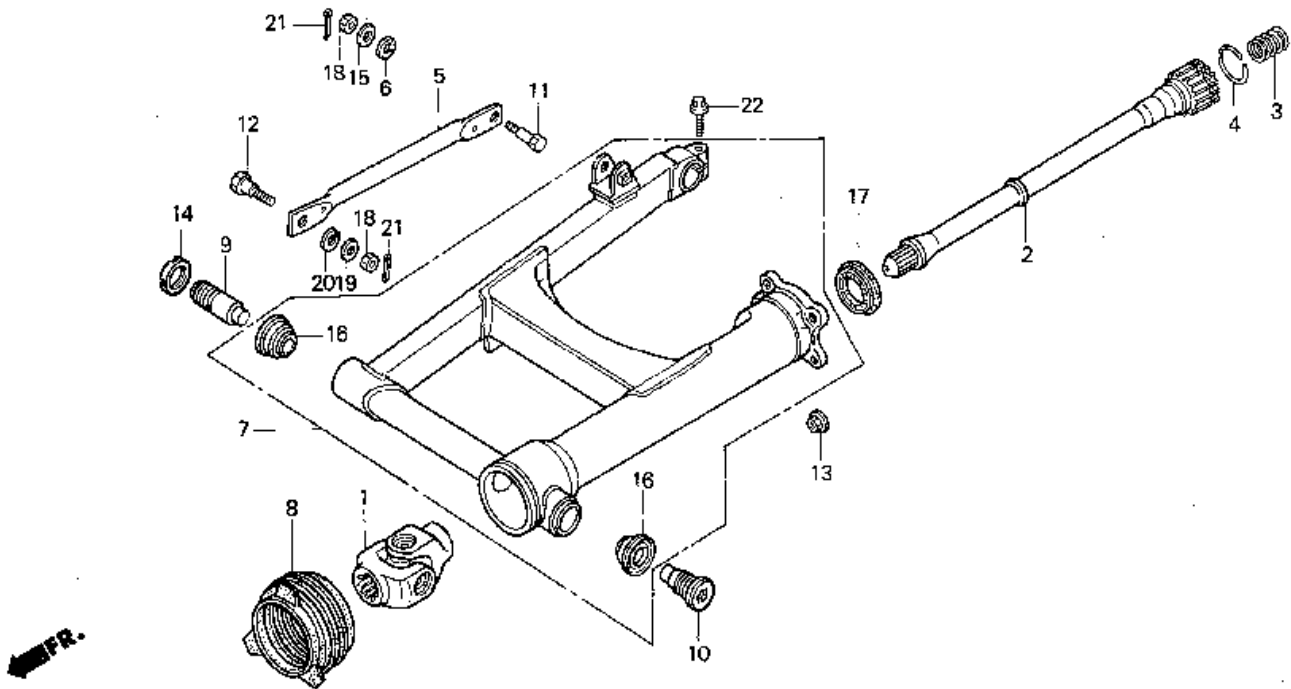
13	1	50711MR5000 STEP,R.PILLION
14	1	50714MR5000 RUBBER,R PILLION
15	1	50716MR5000ZC (50716-MR5-000ZE) COVER,R.PI*TYPE3* Note: this part is superseded by 50716MR5000ZE.
15	1	50716MR5000ZE COVER,R P*NH292M*
16	2	50717MR5870 SPRING,PILLION ST
17	2	50718MR5000 SPRING,PILLION ST
18	1	50720MR5870ZC STEP ASSY.*TYPE3*
19	1	50721MR5000 STEP,L.PILLION
20	1	50724MR5000 RUBBER,L PILLION
21	1	50726MR5000ZC (50726-MR5-000ZE) COVER,L.PI*TYPE3* Note: this part is superseded by 50726MR5000ZE.
21	1	50726MR5000ZE COVER,L P*NH292M*
22	6	90101SA4000 (93913-142-80) SCREW.TAPPING (PO)4X Note: this part is superseded by 9391314280.
22	6	9391314280 SCREW,TAPPING,(PO)4X
23	4	90107MR5000 BOLT,SOCKET,8X22
24	2	90131GE1670 PIN,PILLION STEP
25	2	90311GF0810 COLLAR,6MM
26	2	90325197000 COLLAR,RR.MUDGUAR
27	2	92501060120B BOLT,CAP,6X12
28	2	934030602000 BOLT,WASHER,6X20
29	2	93500040060G SCREW,CROSS 4X6
30	2	9410106800 WASHER,PLAIN,6MM
31	2	9410108000 WASHER,PLAIN,8MM

32	2	9420116120 PIN,SPLIT, 1.6
33	2	9420116150 (94201-162-50) PIN,COTTER 1.6X15 Note: this part is superseded by 9420116250.
33	2	9420116250 PIN SPLIT,1.6
34	2	957011002508 BOLT,FLANGE,10X25









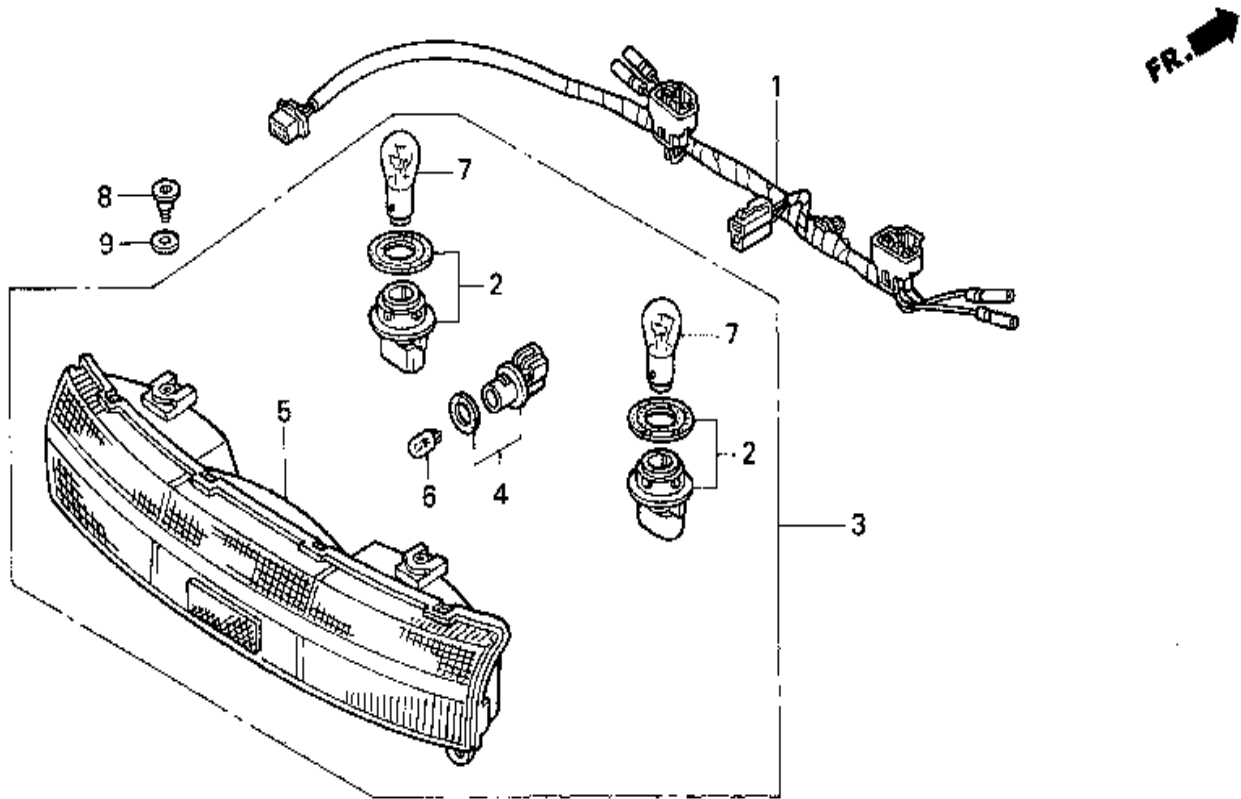
### SWINGARM

img#	Quantity	Part
1	1	40200MR5003 JOINT COMP.,YOKE
2	1	40201MK7003 SHAFT PROP.
3	1	40215ME9003 SPRING,SHAFT
4	1	40221MB0000 RING,STOPPER
5	1	43431MK4000 ARM,RR.BRAKE STOP
6	1	43434286000 RUBBER CUSHION
7	NA	52100MR5000 (52100-MR5-010) ARM ASSY.,SWING Note: this part is superseded by 52100MR5010.
8	1	52104MR5000 BOOT,JOINT
9	1	90121MK7770 BOLT,R.SWING ARM
10	1	90124MK7770 BOLT,L.SWING ARM
11	1	90127393000 BOLT,RR.BRAKE
12	1	90133286000 BOLT,STOPPER ARM

13	4	90308357000 NUT,HEX.,10MM
14	1	90354MK7770 NUT,LOCK,23MM
15	1	90505425000 (90524-030-000) WASHER,8MM Note: this part is superseded by 90524030000.
15	1	90524030000 WASHER, HANDLE
16	2	91066MR6671 (91066-MR6-672) B/BRG TAP N/COM Note: this part is superseded by 91066MR6672.
17	1	91261ME9005 OIL SEAL,27X43X7
18	2	94001080000S (94030-080-00) NUT,HEX.,8MM Note: this part is superseded by 9403008000.
19	1	9410108000 WASHER,PLAIN,8MM
20	1	9411110000 SPG-WASHER 10MM
21	2	9420120180 (94201-203-50) PIN,SPLIT, 2.0 Note: this part is superseded by 9420120350.
21	2	9420120200 (94201-203-50) PIN COTTER 2.0MM Note: this part is superseded by 9420120350.
21	2	9420120220 PIN,SPLIT, 2.0
21	2	9420120250 (94201-203-50) PIN,SPLIT, 2.0 Note: this part is superseded by 9420120350.
21	2	9420120280 (94201-203-50) PIN,SPLIT, 2.0 Note: this part is superseded by 9420120350.
21	2	9420120320 (94201-203-00) PIN COTTER 2.0MM Note: this part is superseded by 9420120300.
21	2	9420120350 PIN COTTER 2.0MM
21	2	9420129220 (94201-202-20) PIN SPLIT 2,0 X 22 Note: this part is superseded by 9420120220.
22	1	957010803200 BOLT,FLANGE,8X32



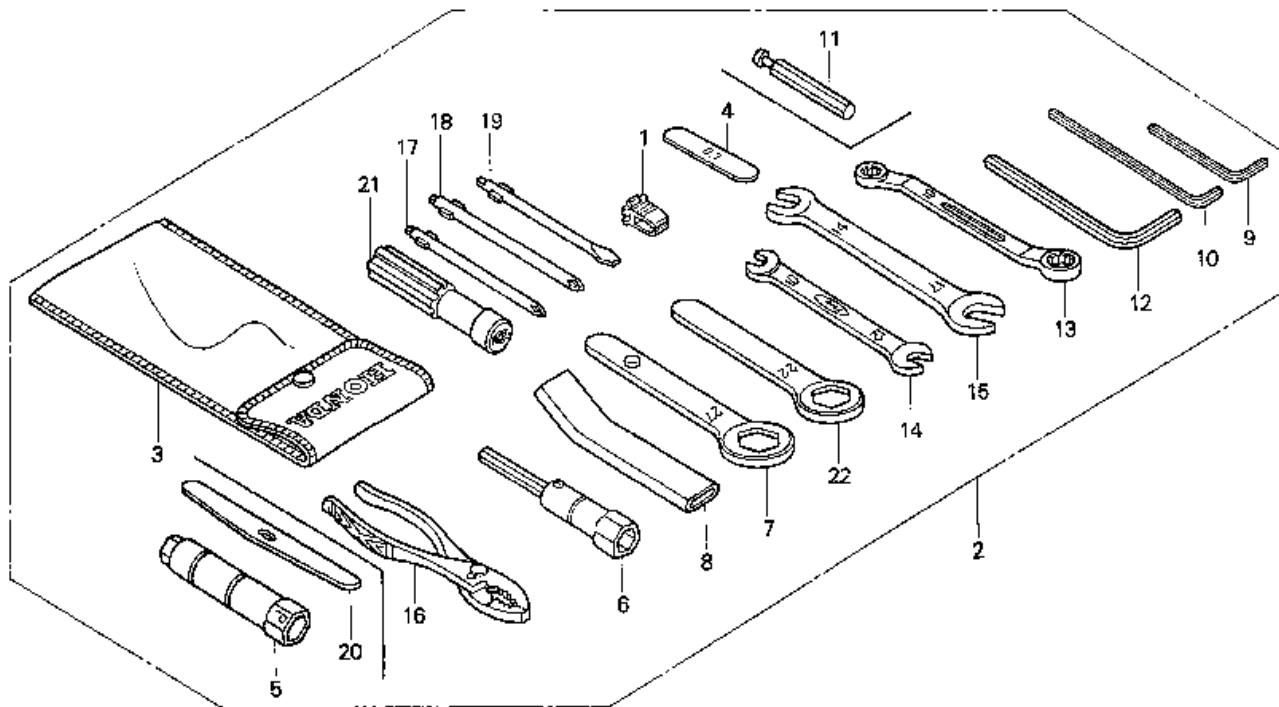




**TAILLIGHT**

img#	Quantity	Part
1	1	32103MR5870 TAIL SUB HARNESS
2	2	33405MR5671 SOCKET,BULB 3P
3	1	33701MR5672 UNIT TAIL LIGHT
4	1	33705MR5671 SOCKET,BULB (2P)
5	1	33710MR5672 LENS COMP,(2)TAIL
6	1	34901SB0671 BULB
7	2	34906MG9771 (34906-SA0-003) BULB,TAIL & STOP Note: this part is superseded by 34906SA5671.
8	2	90113MR5000 SCREW,PAN,6X14
9	2	90510MR5000 WASHER,SEALING,8.





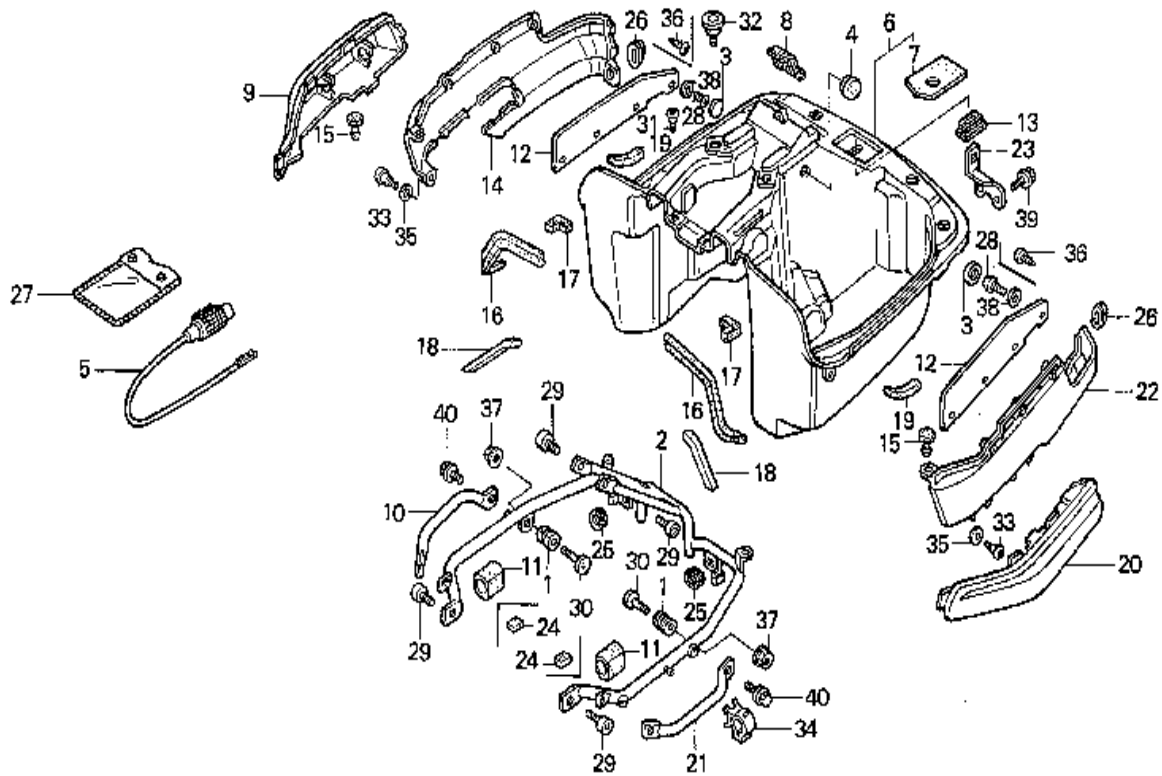
**TOOLS**

img#	Quantity	Part
1	1	38235SA5004 PULLER FUSE
2	1	89010MR5870 TOOL SET
3	1	89101KW9000 (89101-ME5-670) BAG,TOOL Note: this part is superseded by 89101ME5670.
3	1	89101ME5670 BAG,TOOL
4	1	89103371000 GAUGE,FEELER,0.7
6	1	89216MR5870 WRENCH,BOX,18MM
7	1	9900627000 WRENCH,EYE,27MM
8	1	89219MR5870 HANDLE,EYE WRENCH
9	NA	89221MR5000 WRENCH, HEX. (5MM)
10	1	89221371000 WRENCH, HEX., 6
12	1	89222371000 WRENCH, HEX., 8
13	1	89227461000 WRENCH,EYE,8X10

14	1	9900110120 SPANNER, 10X12
15	1	9900114170 SPANNER, 14X17
16	1	9900213500 PLIERS,135
17	1	9900310000 DRIVER
18	1	9900320000 DRIVER
19	1	9900330000 SCREW DRIVER,3
21	1	9900350000 GRIP,SCREW DRIVER
22	1	9900622000 EYE WRENCH,22







### TRUNK INNER BODY

img#	Quantity	Part
1	2	43516MR5000 RUBBER,MOUNTTING
2	1	50240MR5870 FRAME,RR.TRUNK
3	6	64109MA2000 CAP,SCREEN
4	4	70529657670 GROM.B,SIDE PANEL
5	1	77237MR5000 LOCK,WIRE
6	1	81210MR5010 BODY,TRUNK INNER
7	1	81211MR5300 SHEET,TRUNK INNER
8	1	81213MR5000 GROMMET (A),SEAL
9	1	81214MR5000ZC (81214-MR5-000ZE) PROTECTOR,*TYPE3*
9	1	81214MR5000ZE PROTECTOR*NH292M*
10	1	81215MR5000 BUMPER,R REAR

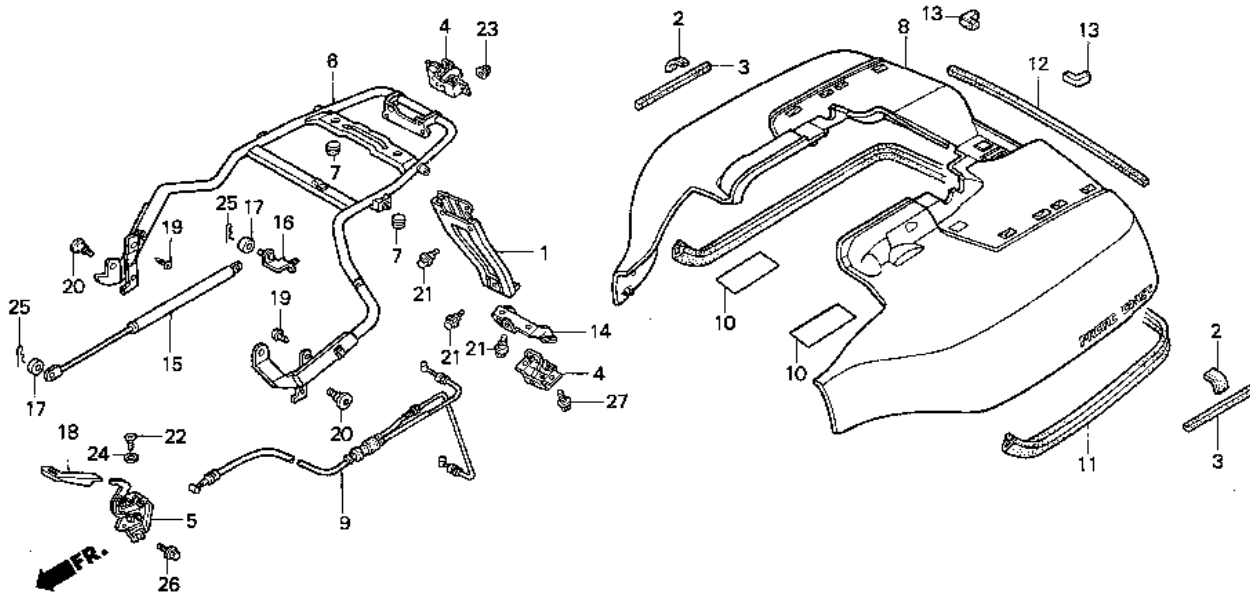
11	4	81215MR5870 CUSHION,TRUNK
12	2	81216MR5000 WALL,TRUNK SIDE
13	1	81217MR5000 GROMMET (B),SEAL
14	1	81240MR5000ZC (81240-MR5-000ZE) COVER,R.TR*TYPE3* Note: this part is superseded by 81240MR5000ZE.
14	1	81240MR5000ZE COVER,R T*NH292M*
15	2	81242MR5000 PLUG,PIN
16	2	81355MR5000 RUBBER SEAL B
17	2	81364MR5300 RUBBER,SEAL (H)
18	2	81368MR5300 RUBBER,SEAL(B)
19	2	81369MR5300 RUBBER,SEAL L
20	1	81414MR5000ZC (81414-MR5-000ZE) PROTECTOR,*TYPE3* Note: this part is superseded by 81414MR5000ZE.
20	1	81414MR5000ZE PROTECTOR*NH292M*
21	1	81415MR5000 BUMPER,L REAR
22	1	81440MR5000ZC (81440-MR5-000ZE) COVER,L.TR*TYPE3* Note: this part is superseded by 81440MR5000ZE.
22	1	81440MR5000ZE COVER,L T*NH292M*
23	1	83305MR5000 STRIKER,TRUNK LOW
25	2	83551300000 CASE,GROMMET
26	2	83601MB0000 GROMMET A SIDE COVER
27	1	83642MN5000 BAG,OWNERS MANUAL
28	6	90006MR5870 SCREW,SPECIAL 5MM
29	4	90102MN8700 BOLT,SOCKET,8X25
30	2	90103MR5010 BOLT,SPECIAL 6X24

31	2	90113MR5000 SCREW,PAN,6X14
32	2	90115MR5000 BOLT SPECIAL 6X12
33	2	90142MB0000 SCREW,PAN,5X16.5
34	1	90690GHB651 CLIP,CABLE,15MM
35	2	90755693620 WASHER PLAIN 7MM
37	2	9405006080 NUT,FLANGE,6MM
38	6	9410105700 WASHER,PLAIN,5MM
39	2	957010601608 BOLT,FLANGE,6X16
40	4	957010801408 BOLT,FLANGE,8X14









### TRUNK LID

img#	Quantity	Part
1	1	50245MR5000 STAY,RR.TRANK MOU
4	2	74800MR5003 LOCK ASSY.,TRUNK
5	1	74882MR5000 OPENER ASSY.,TRUN
6	1	77250MR5000 (77250-MR5-830) PIPE,TRUNK LID OP Note: this part is superseded by 77250MR5830.
6	1	77250MR5830 PIPE,TRUNK LID OP
7	2	77258MR5000 RUBBER,ADJUSTER C
8	1	81200MR5870ZC (81200-MR5-870ZJ) LID*R101CU/TYP3* Note: this part is superseded by 81200MR5870ZJ.
8	1	81200MR5870ZJ LID SET,TR*TYPE3*
9	1	81225MR5000 CABLE COMP,TRUNK
10	2	81229MR5000 TAPE,PROTECTOR
11	1	81350MR5000 RUBBER,SEAL A
12	1	81359MR5300 RUBBER (F),SEAL
13	2	81367MR5300 RUBBER,SEAL M

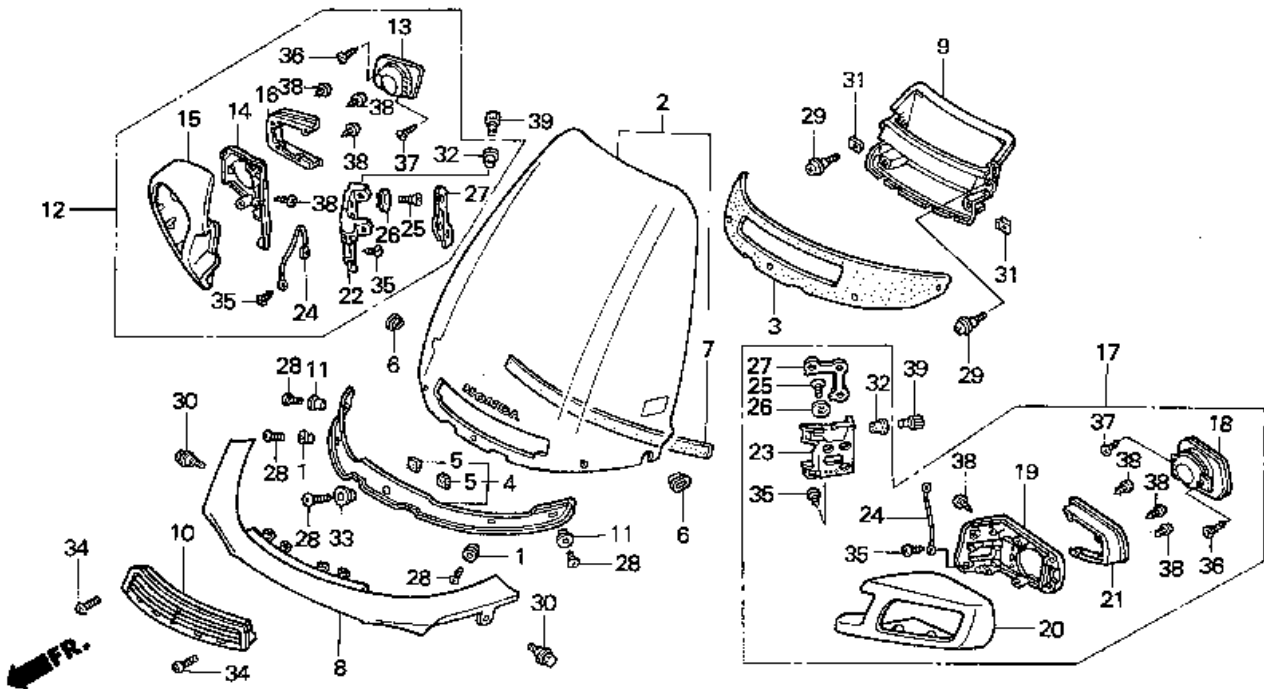
14	1	83310MR5000 STAY,TRANK LOCK
15	1	85270MR5003 DUMPER ASSY.,TRUN
16	1	85275MR5000 STAY DUMPER
16	1	85275MR5870 (85275-MR5-000) STAY,DUMPER Note: this part is superseded by 85275MR5000.
17	2	80126GC5000 COLLAR A,RR.FEND
18	1	85512MR5000 KNOB,TRUNK OPENER
19	4	90101SA4000 (93913-142-80) SCREW.TAPPING (PO)4X Note: this part is superseded by 9391314280.
19	4	9391314280 SCREW,TAPPING,(PO)4X
20	2	90106MR5020 BOLT,RR.TRUNK OPE
21	5	90111187000 BOLT,FLANGE 6MM
22	1	9390334280 SCREW,4X10
23	2	9405006080 NUT,FLANGE,6MM
24	1	9410304700 WASH,PLAIN,4MM
25	2	9425108000 PIN,LOCK,8MM
26	2	957010601208 BOLT,FLANGE,6X12
27	2	957010601208 BOLT,FLANGE,6X12



5	1	33410MR5870 (33410-MR5-671) WINKER SUB ASSY., Note: this part is superseded by 33410MR5671.
6	1	33450MR5870 WINKER ASSY.,L.FR
7	1	33460MR5870 WINKER SUB ASSY.,
8	1	33600MR5672 WINKER ASSY.,R RR
9	2	33605MR5671 SOCKET,BULB (2P)
10	1	33610MR5672 SUB ASSY.,RR.WINK
11	1	33650MR5672 WINKER ASSY.,L RR
12	1	33660MR5672 WINKER ASSY,L RR
13	2	34905268671 BULB, WINKER
14	2	34906313671 BULB,TAIL.LIGHT
15	2	61312149300 BOOT,LT.BRACKET
16	2	90113MR5000 SCREW,PAN,6X14
17	2	90510MR5000 WASHER,SEALING,8.
18	2	938930501208 SCREW-WASH.,5X12







### WINDSCREEN

img#	Quantity	Part
1	2	53204HB5670 COLLAR,HANDLE COV
2	1	64100MR5870 SCREEN,WIND
3	1	64101MR5000 RUBBER,WIND SCREEN
4	1	64102MR5000 PLATE,WIND SCREEN
5	2	64105MR5000 RUBBER
6	2	64107MR5000 COLLAR,SCREEN SET
7	1	64109MR5870 RUBBER,SCREEN
8	1	64110MR5000ZC GARNISH,S*R101CU*
9	1	64120MR5870ZA (64120-MR5-A20ZA) DUCT COMP.*NH252*
10	1	64125MR5000 LOUVER,WIND SCREE
11	2	84706KN9830 COLLAR,TAILLIGHT
12	1	88110MR5870ZC MIRROR AS*R101CU*

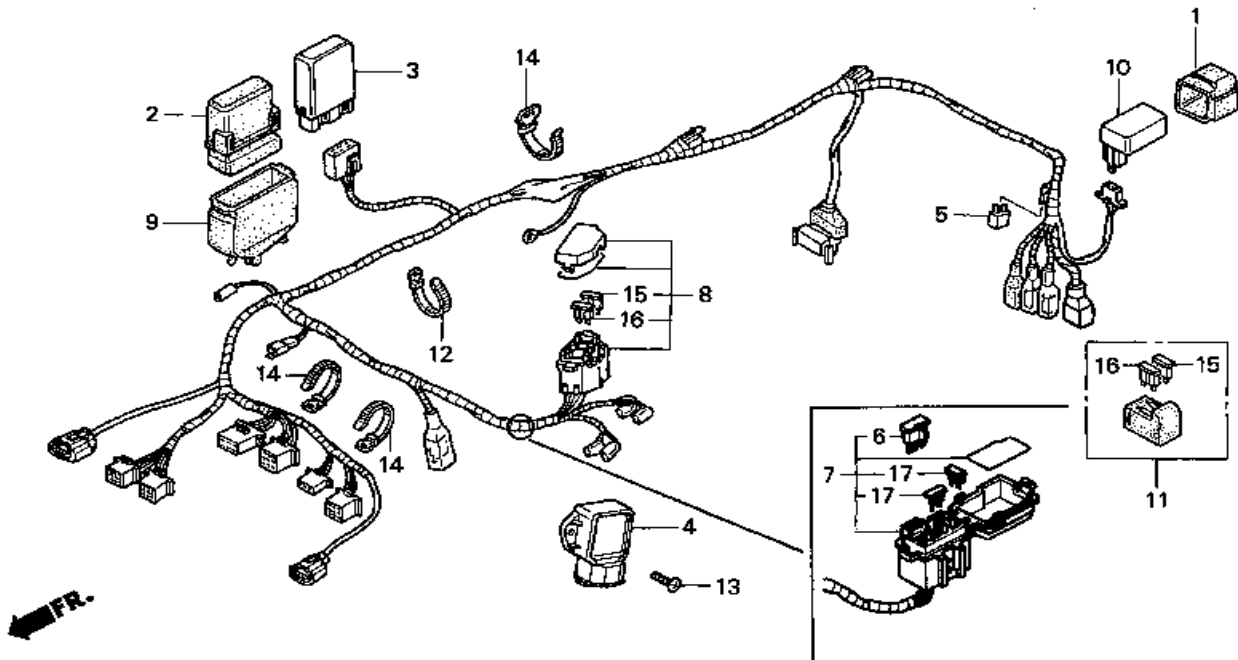
13	1	88111MR5003 MIRROR,R
14	1	88112MR5003 BRACKET B R
15	1	88115MR5013ZC HOUSING,R*R101CU*
16	1	88116MR5003ZC VISOR,R. *R101CU*
17	1	88120MR5870ZC MIRROR AS*R101CU*
18	1	88121MR5003 MIRROR,L
19	1	88122MR5003 BRACKET B L
20	1	88125MR5013ZC HOUSING,L*R101CU*
21	1	88126MR5003ZC VISOR,L. *R101CU*
22	1	88131MR5003 BASE,R.
23	1	88141MR5003 BASE L
24	2	88151MR5003 ROPE COMP.,WIRE
25	6	88152MR5003 LOCK BOLT M6X7
26	6	88154MR5003 WASHER,TOOTHED
27	2	88155MR5003 PLATE
28	5	90001GW2000 SCREW,TORUS,6X20
29	2	90101GK0000 SCREW,PAN,5X10
30	2	90106MM4000 SCREW,PAN,6X14
31	2	90305SA0000 NUT, FLOTING 4MM
32	4	90522MF5000 WASHER FR COVER
33	1	90563KE6890 COLLAR,RR FENDER
34	2	93500040160G SCREW,CROSS 4X16
35	4	9390324180 SCREW 4X8
36	2	9390324220 SCREW,TAPPING,4X10

37	4	9390324320 SCREW,TAPPING,4X12
38	16	9390324480 SCREW,TAPPING,4X16
39	4	966000601207 BOLT,SOCKET 6X12
39	4	967000601207 (96600-060-1207) SOCKET BOLT.6X12 Note: this part is superseded by 966000601207.









### WIRE HARNESS

img#	Quantity	Part
1	1	30401GE8000 CUSHION, CDI. UNIT
2	1	30405MN4000 SUSPENSION SPARK
3	1	30410MR5621 SPARK UNIT
4	1	31600KY2703 (31600-MV4-010) REGULATE(RECT) AS Note: this part is superseded by 31600MV4000.
4	1	31600MV4000 (31600-MV4-010) RECTIFIER ASSY.,R Note: this part is superseded by 31600MV4010.
4	1	31600MV4010 REG, RECT. ASSY
5	1	31700196000 RECTIFIER, SILICON
8	1	32100MR5870 HARNESS, WIRE
9	1	32111MR5670 COVER, SPARK UNIT
10	1	36100MN4008 RELAY, FUEL CUT (S
11	1	38210MR5000 FUSE COMP., SPARE
12	1	90620SB2003 (90620-KRF-T00) BAND, WIRE HARN Note: this part is superseded by 90620KRFT00.

13	2	93500060160A SCREW,CROSS 6X16
14	3	90650MA6720 BAND.HARNESS
15	4	9820031000 BLADE FUSE 10A
16	2	9820031500 BLADE FUSE 15A